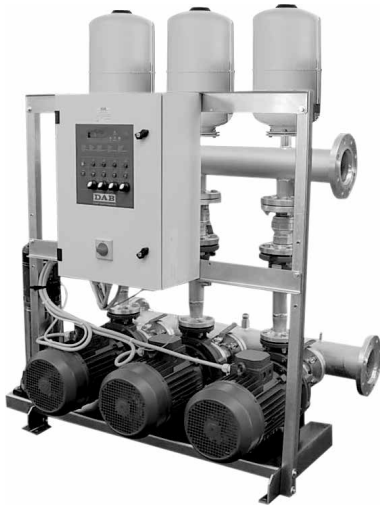


1/2/3 NKP-G / 1/2/3 K

PRESSURE BOOSTER SETS WITH 1 - 2 - 3 NKP-G / K SERIES CENTRIFUGAL PUMPS



TECHNICAL DATA

Line voltage: 400V three phase.

Voltage of electric pump: 400V three phase.

Power frequency: 50-60 Hz.

Installation: vertical only.

Operating range: from 4 to 720 m³/h.

Pumped liquid temperature range: from -15 °C to + 70 °C (max 40 °C for the version with jockey pump).

Maximum ambient temperature: 40°C.

Max pressure: 10bar.

Pumped liquid: clean, free of solids.

Protection class: IP55

IE2 motors as standard from 0,75 kW to 5,5 kW - IE3 ≥ 7,5 kW.

APPLICATIONS

Industrial sets have been designed and produced to meet the needs of the modern engineering solutions of civil or industrial systems. The use of standardised centrifugal electric pumps and/or double impeller centrifugal pumps guarantees a high power/performance ratio.

The applications of industrial groups cover the most varied sectors:

Industry, Hotels, Water pipelines, Irrigation, Residential buildings, Spas.

The fundamental concept that has driven our Engineers in developing these pumps sets, was to offer a simple to use, flexible, and extremely reliable product.

ADVANTAGES OF USE

High performance, Multi-functionality, Silent operation, Compact size, Less maintenance.

OPERATING MODES

In idle conditions, (zero water request), the system is under static pressure. Following the request of water from an user, the system pressure decreases. The pressure drop is detected by an electronic pressure transmitter on the delivery manifold of the set, connected to the pump control unit on the front of the electric control panel. The control unit reads the pressure signal and manages the start and stop of all the pumps, following preset parameters that can be changed by the user (average pressure, pump start delay, dangerous pressure level, etc.). The electric pumps activate in cascade, so that the maximum flow rate requested by the system can be split on several pumps. (e.g. one pump in operation at -> 20 m³/h; two pumps in operation at -> 40 m³/h).

The jockey electric pump intervenes for small system pressure drops, therefore avoiding pointless starts of the main pumps. The pump starting order is switched at each operating cycle.

INDUSTRIAL SET COMPOSITION

Electric pumps used

MAIN PUMPS

K 70-80 / 300-400 series double impeller centrifugal electric pumps.

Cast iron pump body, technopolymer impellers, AISI 304 pump shaft, carbon/ceramic mechanical seal.

DIN-EN 733 compliant, series 32 - 40 - 50 NKP integral shaft monobloc centrifugal electric pumps.

Cast iron pump body and impeller, AISI 304 pump shaft, carbon/silicon carbide mechanical seal - EPDM.

DIN-EN 733 compliant, series 65 - 80 NKP-G monobloc centrifugal electric pump with coupling.

Cast iron pump body and impeller, AISI 304 pump shaft, carbon/silicon carbide mechanical seal - EPDM.

JOCKEY ELECTRIC PUMP

Vertical axis multistage centrifugal electric pump.

Technopolymer pump body and impellers, AISI 303 pump shaft, carbon/ceramic mechanical seal.

MECHANICAL STRUCTURE

Galvanised steel base supporting all the main pumps, complete with floor anchoring holes.

Jockey pump galvanised steel base, fastened to the base of the main pumps. Control panel support frame fastened on the pump base.

1/2/3 NKP-G / 1/2/3 K

PRESSURE BOOSTER SETS WITH 1 - 2 - 3 NKP-G / K SERIES CENTRIFUGAL PUMPS

HYDRAULIC STRUCTURE

Galvanised steel suction and delivery manifolds, sized for the total flow rate of the set, complete with blind flange (anti-vibration coupling available as optional).

No. 1 isolator valve **on the suction of each main pump.**

No. 1 diverter adaptor, no. 1 check valve, no. 1 isolator valve **on the delivery of each main pump.**

No. 1 20 litre 16 bar membrane expansion vessel for each main electric pump.

No. 1 4-20 mA pressure transmitter and manometer on the delivery manifold of the set.

No. 1 jockey electric pump connected to the suction* and delivery manifolds and complete with suction and delivery isolator valves and delivery check valve.

* 1 main pump sets are supplied without suction manifold.

CONTROL PANEL FUNCTIONS

IP 55 metal box electric control panel, installed on the pump base, CONTAINING:

General door lock switch.

400/24 V auxiliary transformers.

Main and jockey electric pump motor protectors.

Direct starters for pumps up to 7,5 kW.

Star-triangle starters for pumps exceeding 7,5 kWatt.

Power input and external signal connection terminal box.

Front panel: AUT-0-MAN operation selectors, voltage lamps, pump operation, pump block, dry run, under and over pressure alarm, KL 1 control unit. The pump control unit, with data set-up pushbuttons and display, manages the operating logic of the set. The set leaves the factory set to a standard pressure value (SET POINT). The control unit manages the start and the stop of the main pumps based on pressure differentials (adjustable) and a delay time (adjustable).

The jockey electric pumps keep the system at a pressure slightly higher than the pressure of the main pumps.

From the control unit it is possible to select one of the following modes of operation:

- 1) **Standard** - 1-2-3 pumps, with or without jockey pump (all pumps start in cascade).
- 2) **Rescue** - Pump no. 1 and pump no. 2 start in cascade, the third pump activates when either pump 1 or pump 2 are faulty.
- 3) **4 pumps** - without jockey pump (all pumps start in cascade).

The control panel stops the pumps in the following cases:

Pump overcurrent.

Dry run - low suction pressure (after a settable time and subject to the installation of a minimum pressure switch).

Pump overpressure (adjustable pressure).

FUNCTIONS DISPLAYED ON THE CONTROL UNIT

The double line display gives the possibility of displaying the following parameters:

SET POINT pressure set.

Instantaneous system pressure.

No. of pumps active.

No. of pump operation hours.

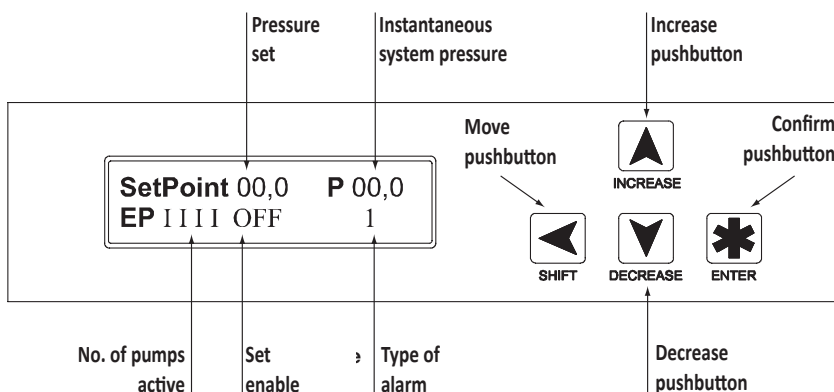
Alarms.

As OPTIONAL on request, the following parameters can also be displayed:

Instantaneous electric power kW.

Total electric energy kWh.

Instantaneous flow rate l/min.



ALARM LEGEND	
1	MOTOR MAINTENANCE
2	PARAMETER ERROR
4	PRESSURE TRANSMITTER
8	MOTOR THERMAL PROTECTIONS
H2O?	MIN. PRESSURE (3 SELF-RESETS)
64	MINIMUM PRESSURE (MANUAL RESET)

1/2/3 NKP-G / 1/2/3 K

PRESSURE BOOSTER SETS WITH 1 - 2 - 3 NKP-G / K SERIES CENTRIFUGAL PUMPS

PUMP SEIZING PREVENTION

The control panel includes the PUMP SEIZING PREVENTION function as standard, which can be activated on the KL 1 control unit.

The seizing prevention function starts the main pumps on a regular basis (adjustable time), to prevent them, or the system components, from seizing due to long periods of inactivity.

The main pumps are started in sequence for a few seconds.

At the end of the tests, any faults are notified by an alarm on the display, and the alarm N.O. contact is activated.

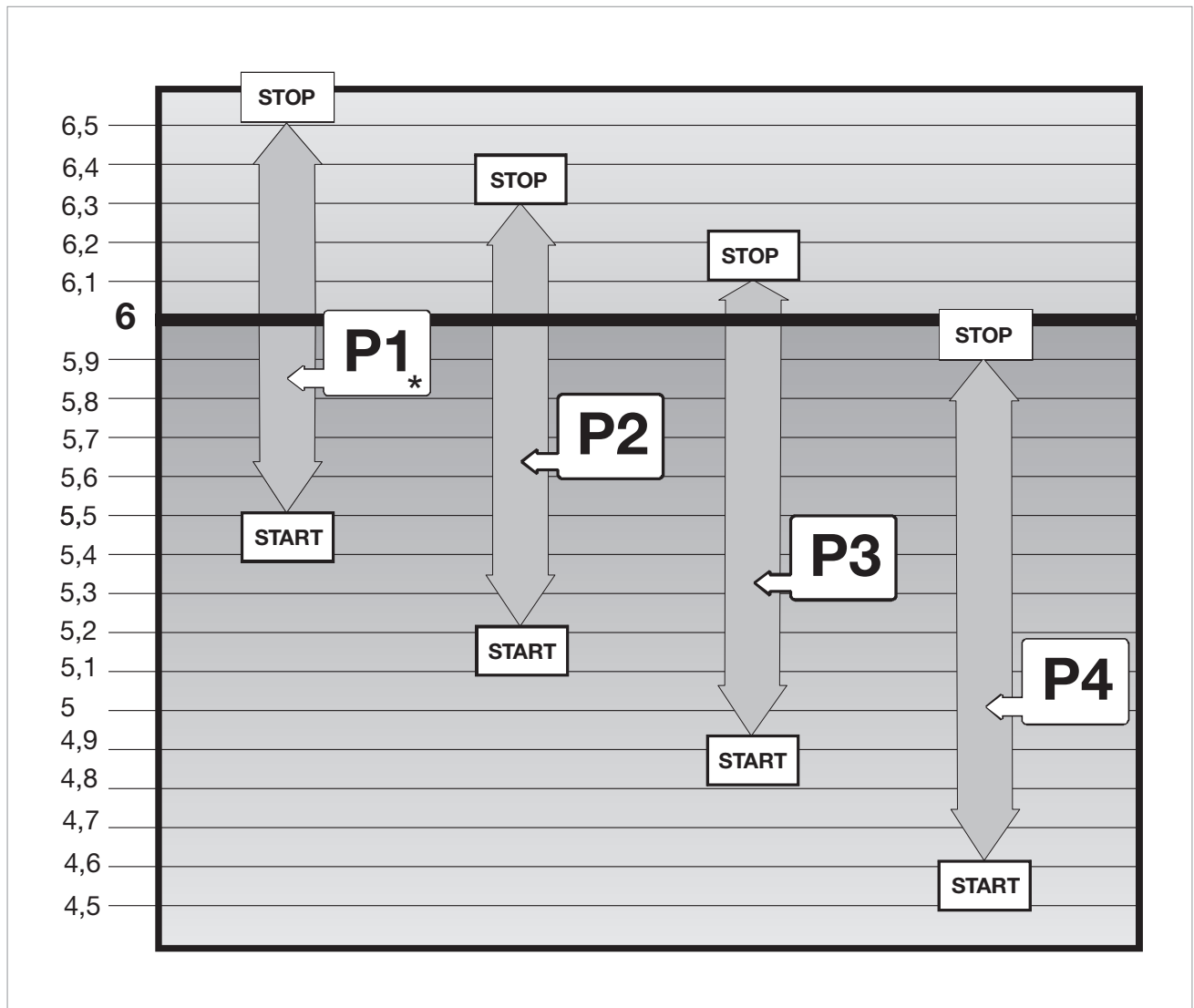
CONTROL PANEL EXTERNAL CONNECTIONS

The control panel terminal board offers the following voltage-free N.O. alarm contacts:

sensor fault, overpressure, dry run, pump current surge, 24 V auxiliary circuit fault.

PRESSURE CALIBRATION

EXAMPLE OF CALIBRATION OF THE SET-POINT PRESSURE ON THE PUMP CONTROL UNIT



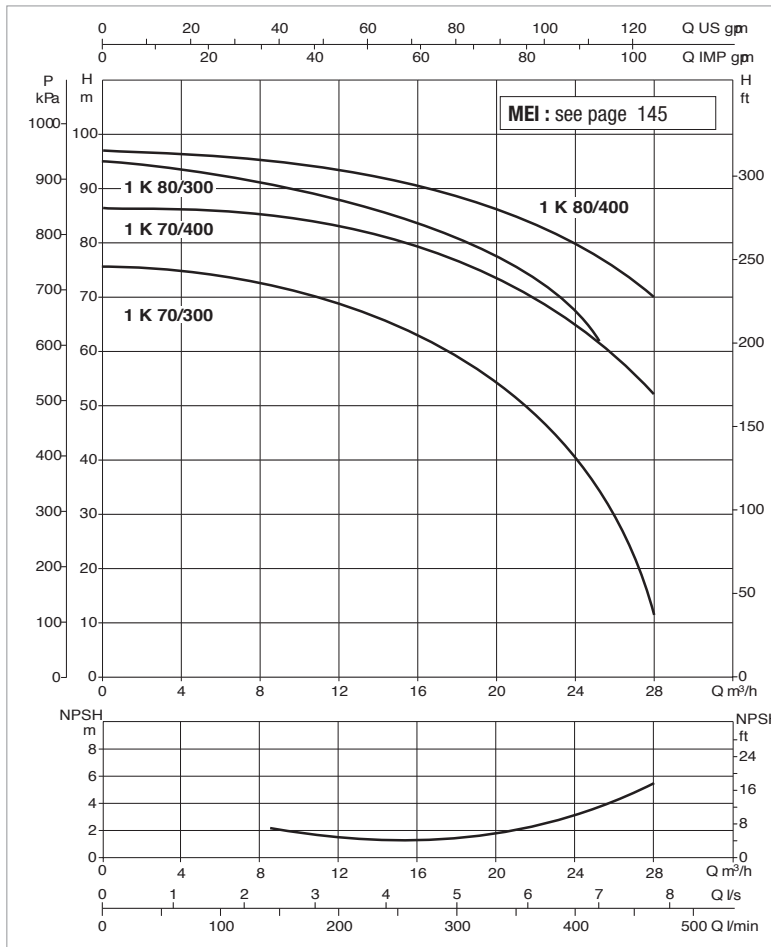
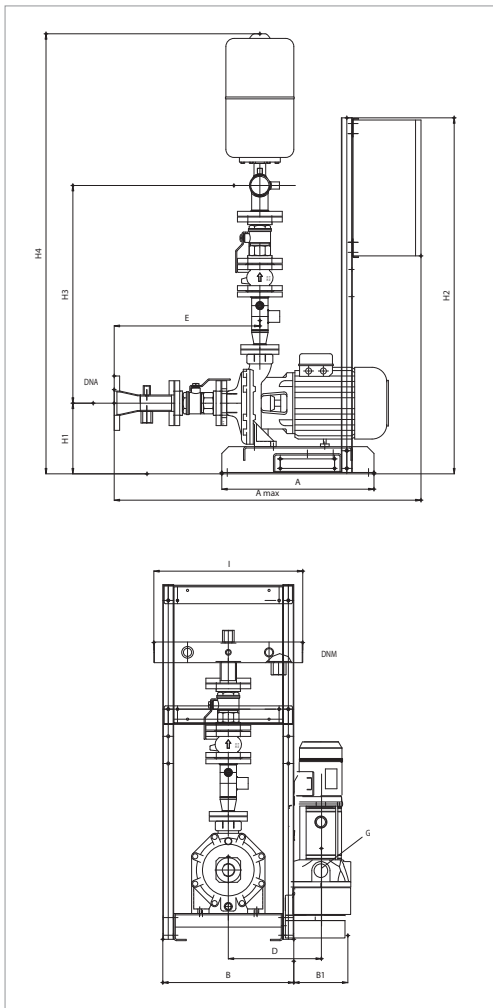
* Electric pump P1 or Jockey pump

Set-point Pressure Set to **6 bar (example)**

Jockey pump P1 Start/Stop differential:	set to 1 bar (standard DAB value)
Pumps P2, P3 and P4 Start Differential:	set to 0,3 bar (standard DAB value)
Pumps P2, P3 and P4 Stop Differential:	set to 0,2 bar (standard DAB value)

1 K - RESIDENTIAL/INDUSTRIAL PRESSURE BOOSTER SETS

Pumped liquid temperature range: from -15 °C to +70 °C - Jockey pump pumped liquid temperature range: from +0 °C to +40 °C.
 Maximum ambient temperature: +40 °C



The performance curves are based on kinematic viscosity values = 1 mm²/s and density equivalent to 1000 kg/m³
 Curve tolerance according to ISO 9906.

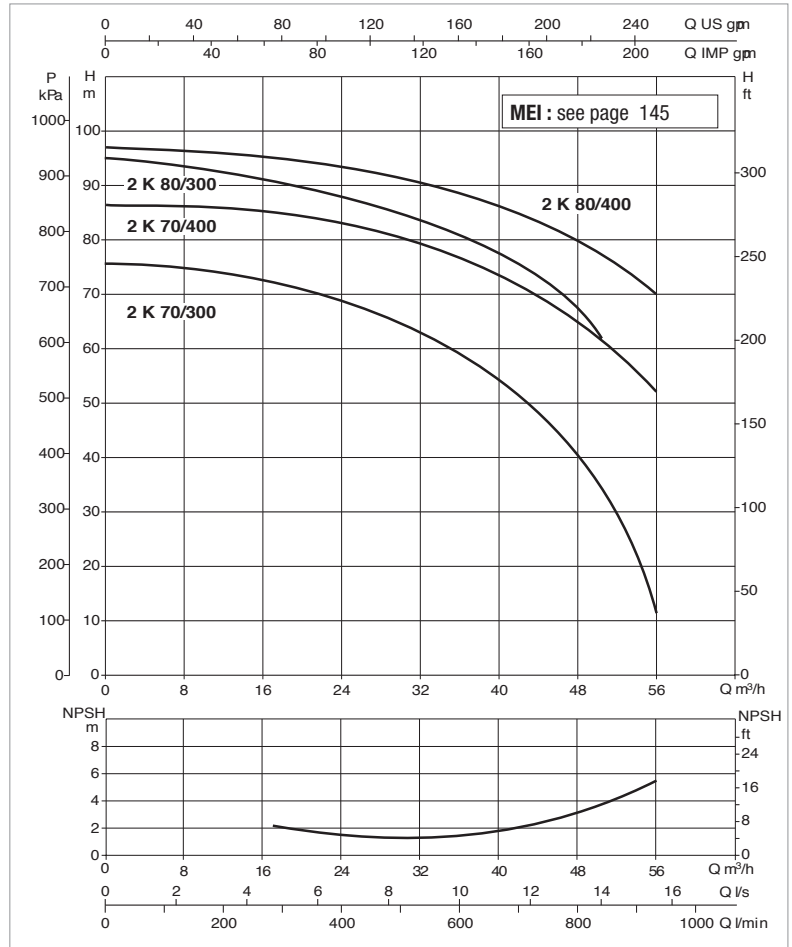
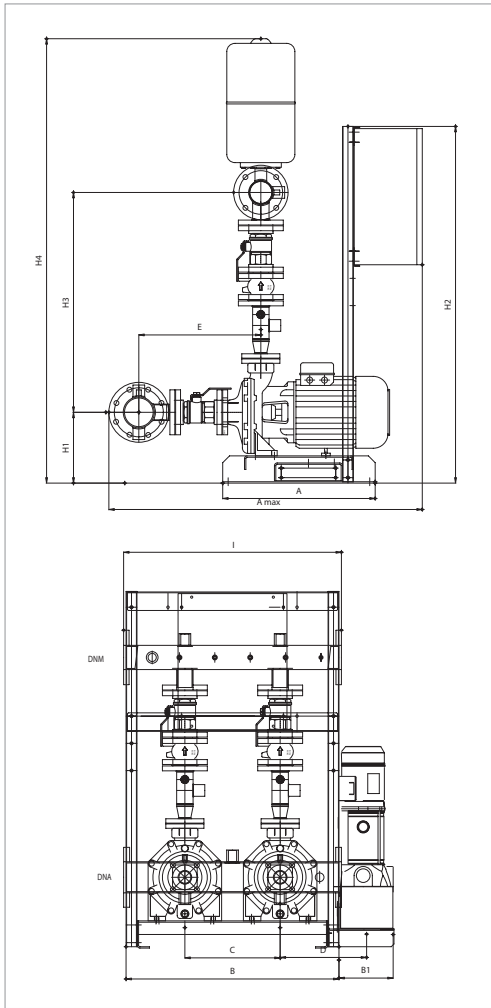
MODEL	POWER INPUT 50 Hz	P2 NOMINAL		RATED P2 JOCKEY	In A	FLOW m ³ /h	MAX OBTAINABLE PRESSURE BAR	STANDARD PRESSURE BAR
		kW	HP	kW				
1K 70/300 + KVCX 65/50	3x400 V	5,5	7,5	1,1	12,9	6-22	7,3	6,5
1K 80/300 + KVCX 65/80	3x400 V	7,5	10	1,1	15	6-24	9,2	8,5
1K 70/400 + KVCX 65/80	3x400 V	9,2	12,5	2,2	18	9-30	8,3	7,5
1K 80/400 + KVCX 65/80	3x400 V	11	15	2,2	21	9-30	9,5	8,5

MODEL	A	A max	B	B1*	C	D*	E	G*	H1	H2	H3	H4	I	DNA	DNM
1K 70/300 + KVCX 65/50	560	1129	482	199	-	343	536	1" 1/4	260	1310	801	1619	548	DN80	1" 1/2
1K 80/300 + KVCX 65/80	560	1129	482	199	-	343	536	1" 1/4	260	1310	801	1619	548	DN80	2" 1/2
1K 70/400 + KVCX 65/80	560	1129	482	199	-	343	536	1" 1/4	260	1310	801	1619	548	DN80	2" 1/2
1K 80/400 + KVCX 65/80	560	1129	482	199	-	343	536	1" 1/4	260	1310	801	1619	548	DN80	2" 1/2

* The sizes are for the set with jockey pump. For the sizes of the set without jockey pump, disregard B1, D, and G.
 For the weights contact our sales network.

2K - RESIDENTIAL/INDUSTRIAL PRESSURE BOOSTER SETS

Pumped liquid temperature range: from -15 °C to +70 °C - Jockey pump pumped liquid temperature range: from +0 °C to +40 °C.
Maximum ambient temperature: +40 °C



The performance curves are based on kinematic viscosity values = 1 mm²/s and density equivalent to 1000 kg/m³
Curve tolerance according to ISO 9906.
Overall performance taking into account TWO pumps working at the same time.

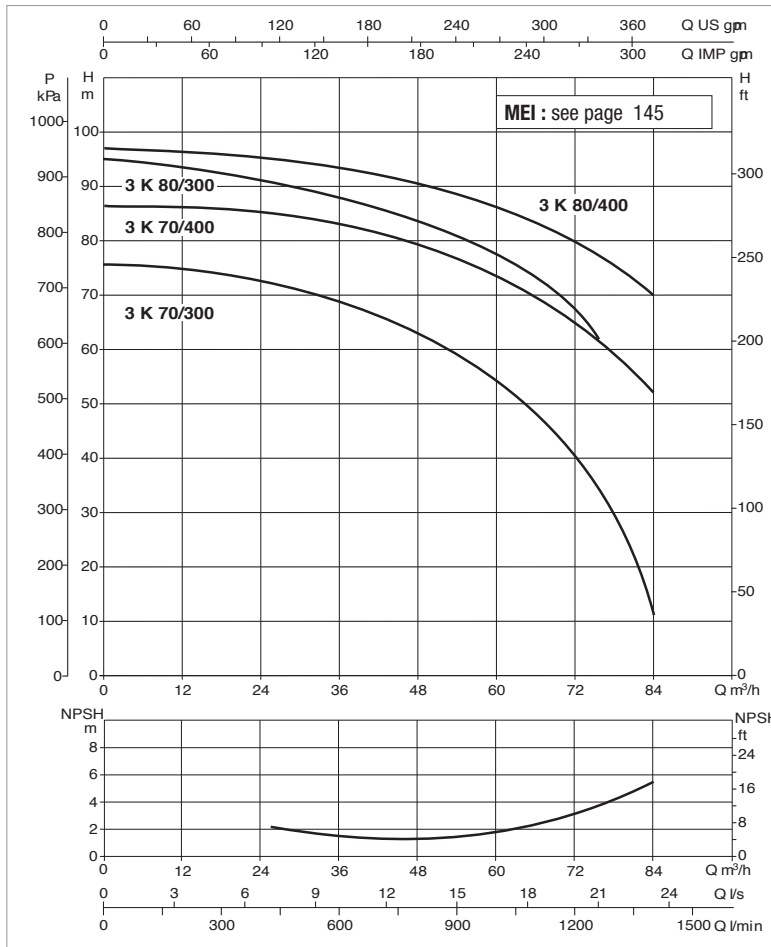
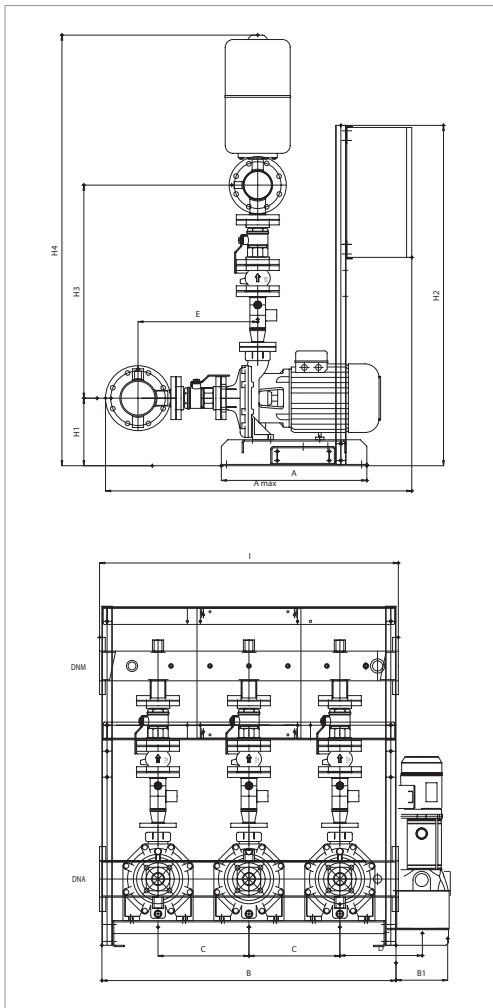
MODEL	POWER INPUT 50 Hz	P2 NOMINAL		RATED P2 JOCKEY	In A	FLOW m ³ /h	MAX OBTAINABLE PRESSURE BAR	STANDARD PRESSURE BAR
		kW	HP	kW				
2K 70/300 + KVCX 65/50	3x400V	2x5,5	2x7,5	1,1	2x12,9	6-44,7	,3	6,5
2K 80/300 + KVCX 65/80	3x400V	2x7,5	2x10	1,1	2x15	6-48	9,2	8,5
2K 70/400 + KVCX 65/80	3x400V	2x9,2	2x12,5	2,2	2x18	9-60	8,3	7,5
2K 80/400 + KVCX 65/80	3x400V	2x11	2x15	2,2	2x21	9-60	9,5	8,5

MODEL	A	A max	B	B1*	C	D*	E	H1	H2	H3	H4	I	DNA	DNM
2K 70/300 + KVCX 65/50	560	1151	782	199	350	318	448	260	1310	807	1632	800	DN100	DN 80
2K 80/300 + KVCX 65/80	560	1151	782	199	350	318	448	260	1310	807	1632	800	DN100	DN 80
2K 70/400 + KVCX 65/80	560	1151	782	199	350	318	448	260	1310	807	1632	800	DN100	DN 80
2K 80/400 + KVCX 65/80	560	1151	782	199	350	318	448	260	1310	807	1632	800	DN100	DN 80

* The sizes are for the set with jockey pump. For the sizes of the set without jockey pump, disregard B1, D, and G.
For the weights contact our sales network.

3K - RESIDENTIAL/INDUSTRIAL PRESSURE BOOSTER SETS

Pumped liquid temperature range: from -15 °C to +70 °C - Jockey pump pumped liquid temperature range: from +0 °C to +40 °C.
 Maximum ambient temperature: +40 °C



The performance curves are based on kinematic viscosity values = 1 mm²/s and density equivalent to 1000 kg/m³
 Curve tolerance according to ISO 9906.
Overall performance taking into account THREE pumps working at the same time.

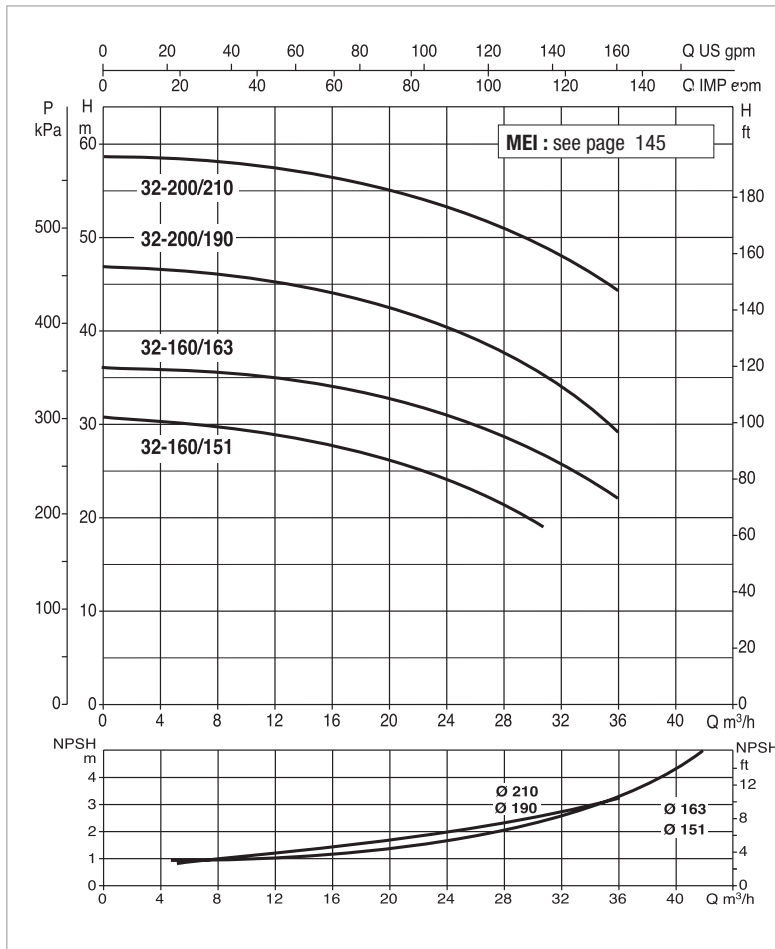
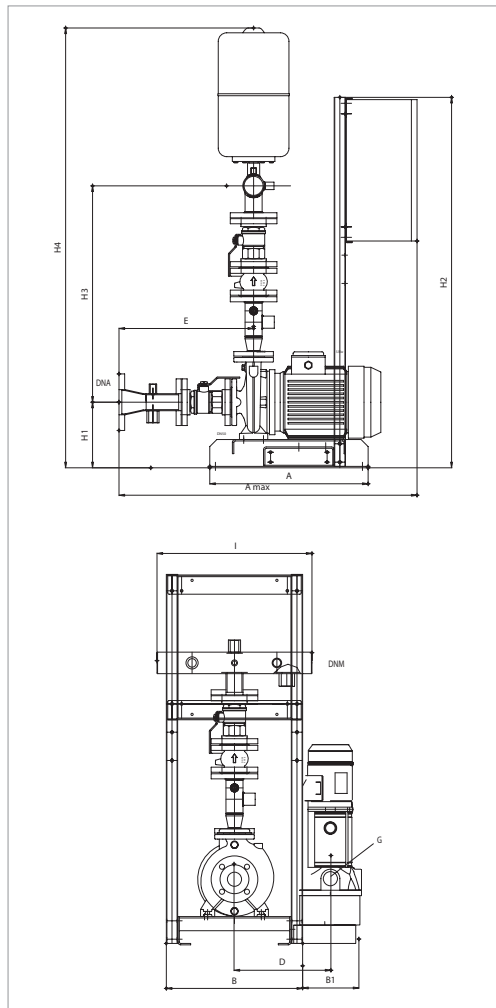
MODEL	POWER INPUT 50 Hz	P2 NOMINAL		RATED P2 JOCKEY	In A	FLOW m ³ /h	MAX OBTAINABLE PRESSURE BAR	STANDARD PRESSURE BAR
		kW	HP	kW				
3K 70/300 + KVCX 65/50	3x400 V	3x5,5	3x7,5	1,1	3x12,9	6-66	7,3	6,5
3K 80/300 + KVCX 65/80	3x400 V	3x7,5	3x10	1,1	3x15	6-72	9,2	8,5
3K 70/400 + KVCX 65/80	3x400 V	3x9,2	3x12,5	2,2	3x18	9-90	8,3	7,5
3K 80/400 + KVCX 65/80	3x400 V	3x11	3x15	2,2	3x21	9-90	9,5	8,5

MODEL	A	A max	B	B1*	C	D*	E	H1	H2	H3	H4	I	DNA	DNM
3K 70/300 + KVCX 65/50	560	1179	1132	199	350	318	461	260	1310	820	1657	1150	DN 125	DN 100
3K 80/300 + KVCX 65/80	560	1179	1132	199	350	318	461	260	1310	820	1657	1150	DN 125	DN 100
3K 70/400 + KVCX 65/80	560	1179	1132	199	350	318	461	260	1310	820	1657	1150	DN 125	DN 100
3K 80/400 + KVCX 65/80	560	1179	1132	199	350	318	461	260	1310	820	1657	1150	DN 125	DN 100

* The sizes are for the set with jockey pump. For the sizes of the set without jockey pump, disregard B1, D, and G.
 For the weights contact our sales network.

1 NKP-G 32 - RESIDENTIAL/INDUSTRIAL PRESSURE BOOSTER SETS

Pumped liquid temperature range: from -15 °C to +70 °C - Jockey pump pumped liquid temperature range: from +0 °C to +40 °C.
Maximum ambient temperature: + 40 °C



The performance curves are based on kinematic viscosity values = 1 mm²/s and density equivalent to 1000 kg/m³
Curve tolerance according to ISO 9906.

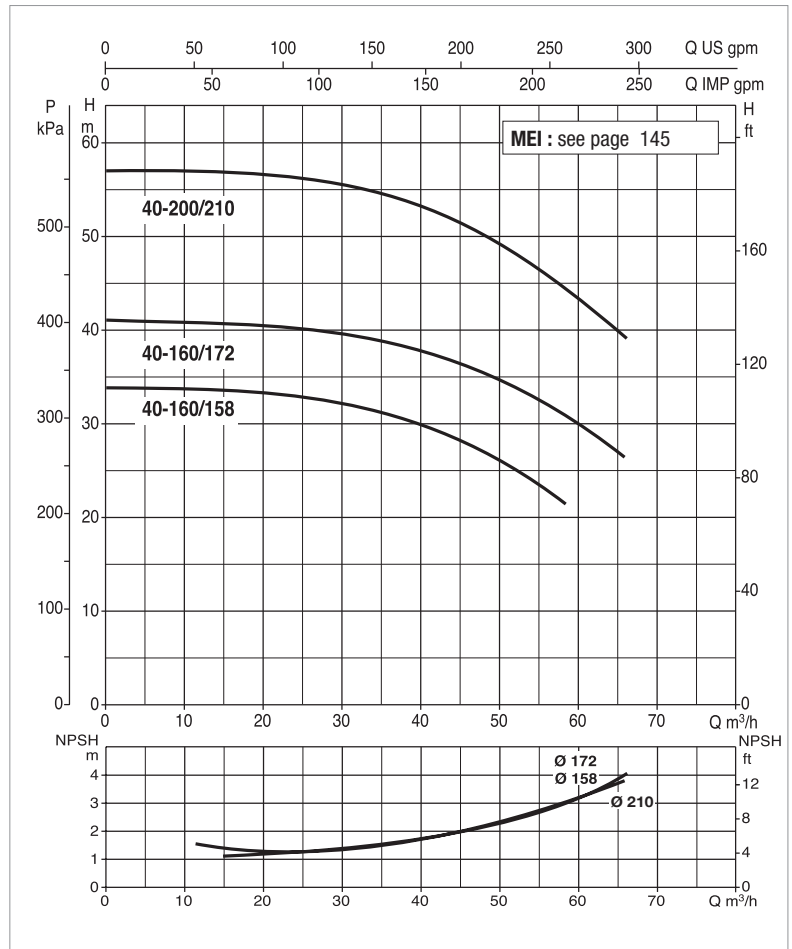
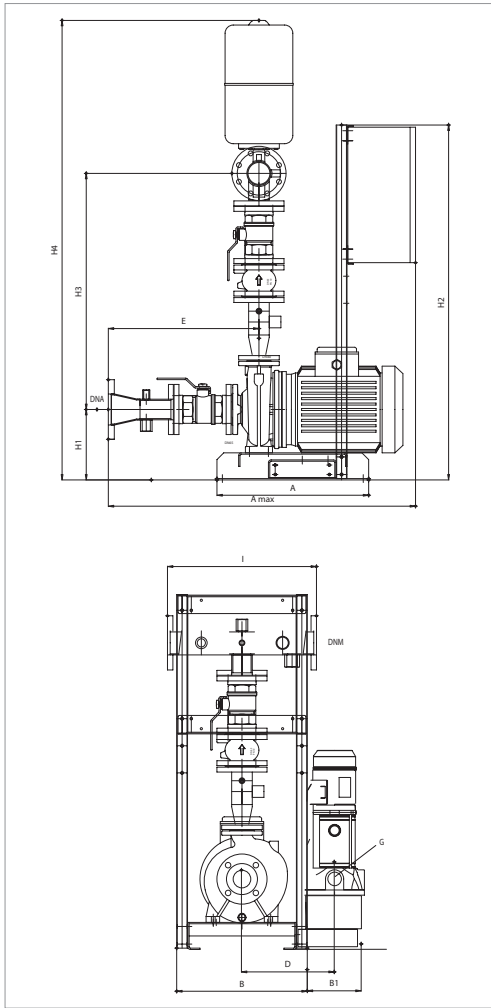
MODEL	POWER INPUT 50 Hz	P2 NOMINAL		RATED P2 JOCKEY	In A	FLOW m ³ /h	MAX OBTAINABLE PRESSURE BAR	STANDARD PRESSURE BAR
		kW	HP	kW				
1 NKP-G 32-160/151 + KVCX 65/50	3x400 V	3	4	1,1	6,7	4-28	3	2,5
1 NKP-G 32-160/163 + KVCX 65/50	3x400 V	4	5,5	1,1	8,7	4-32	3,5	3
1 NKP-G 32-200/190 + KVCX 65/50	3x400 V	5,5	7,5	1,1	11,6	4-32	4,5	4
1 NKP-G 32-200/210 + KVCX 65/50	3x400 V	7,5	10	1,1	14	4-32	5,6	5

MODEL	A	A max	B	B1*	D*	E	G*	H1	H2	H3	H4	I	DNA	DNM
1 NKP-G 32-160/151 + KVCX 65/50	560	1054	482	199	343	476	1"1/4	232	1310	765	1555	548	DN80	2" 1/2
1 NKP-G 32-160/163 + KVCX 65/50	560	1054	482	199	343	476	1"1/4	232	1310	765	1555	548	DN80	2" 1/2
1 NKP-G 32-200/190 + KVCX 65/50	560	1054	482	199	343	476	1"1/4	260	1310	785	1603	548	DN80	2" 1/2
1 NKP-G 32-200/210 + KVCX 65/50	560	1054	482	199	343	476	1"1/4	260	1310	785	1603	548	DN80	2" 1/2

* The sizes are for the set with jockey pump. For the sizes of the set without jockey pump, disregard B1, D, and G.
For the weights contact our sales network.

1 NKP-G 40 - RESIDENTIAL/INDUSTRIAL PRESSURE BOOSTER SETS

Pumped liquid temperature range: from -15 °C to +70 °C - Jockey pump pumped liquid temperature range: from +0 °C to +40 °C.
Maximum ambient temperature: +40 °C



The performance curves are based on kinematic viscosity values = 1 mm²/s and density equivalent to 1000 kg/m³
Curve tolerance according to ISO 9906.

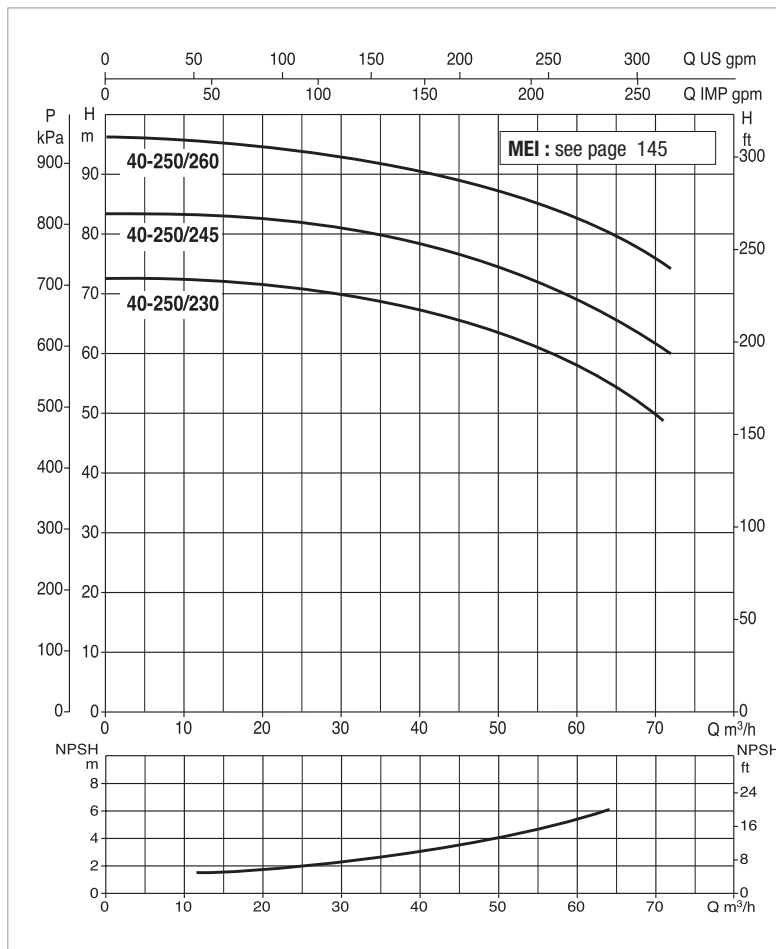
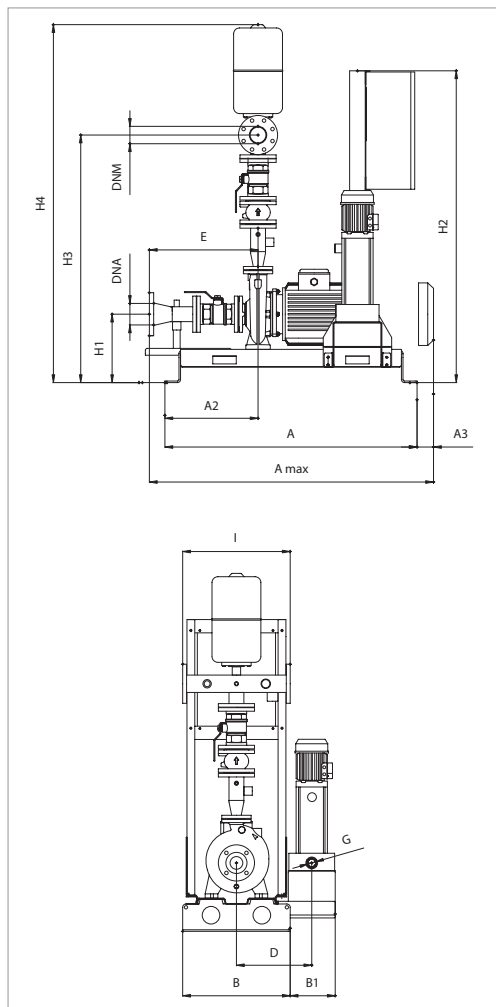
MODEL	POWER INPUT 50 Hz	P2 NOMINAL		RATED P2 JOCKEY	In A	FLOW m ³ /h	MAX OBTAINABLE PRESSURE BAR	STANDARD PRESSURE BAR
		kW	HP	kW				
1 NKP-G 40-160/158 + KVCX 65/50	3x400 V	5,5	7,5	1,1	11,6	10 – 55	3,3	3
1 NKP-G 40-160/172 + KVCX 65/50	3x400 V	7,5	10	1,1	14	10 – 60	4	3,5
1 NKP-G 40-200/210 + KVCX 65/80	3x400 V	11	15	2,2	22,5	10 – 60	5,5	5

MODEL	A	A max	B	B1*	D*	E	G*	H1	H2	H3	H4	I	DNA	DNM
1 NKP-G 40-160/158 + KVCX 65/50	560	1114	482	199	343	536	1" 1/4	232	1310	851	1648	550	DN100	DN80
1 NKP-G 40-160/172 + KVCX 65/50	560	1114	482	199	343	536	1" 1/4	232	1310	851	1648	550	DN100	DN80
1 NKP-G 40-200/210 + KVCX 65/80	560	1114	482	199	343	556	1" 1/4	260	1310	871	1696	550	DN100	DN80

* The sizes are for the set with jockey pump. For the sizes of the set without jockey pump, disregard B1, D, and G.
For the weights contact our sales network.

1 NKP-G 40 - RESIDENTIAL/INDUSTRIAL PRESSURE BOOSTER SETS

Pumped liquid temperature range: from -15 °C to +70 °C - Jockey pump pumped liquid temperature range: from +0 °C to +40 °C.
Maximum ambient temperature: +40 °C



The performance curves are based on kinematic viscosity values = 1 mm²/s and density equivalent to 1000 kg/m³
Curve tolerance according to ISO 9906.

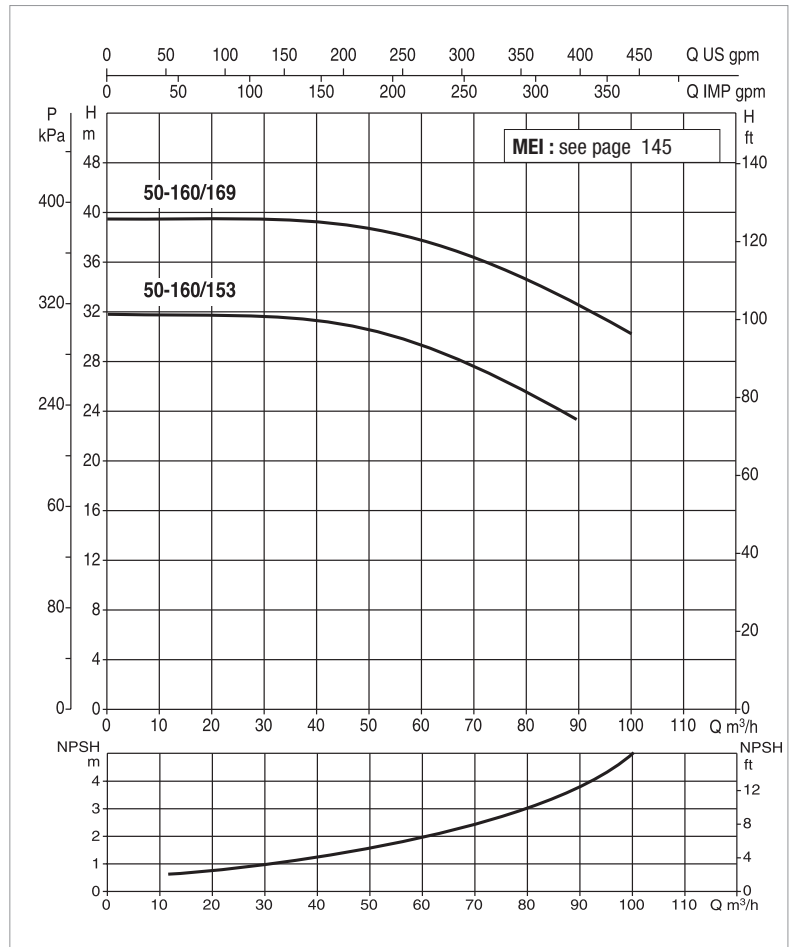
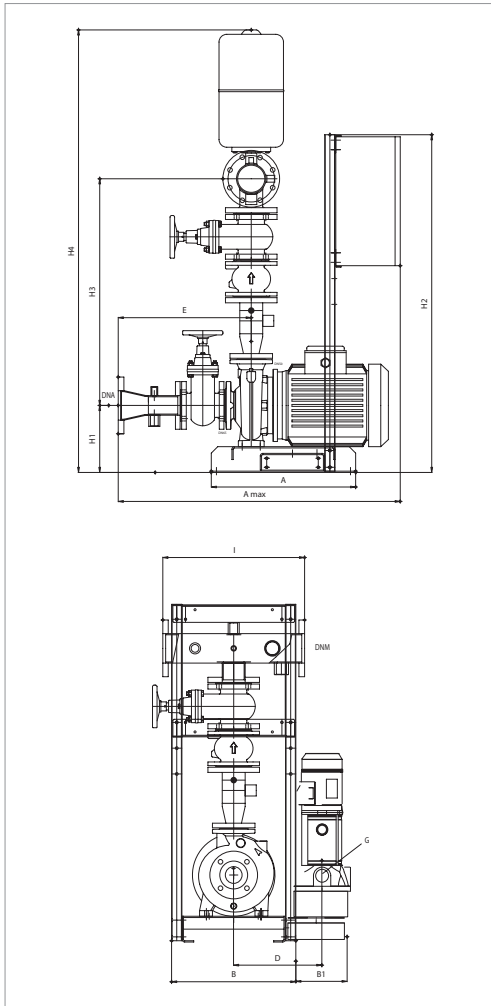
MODEL	POWER INPUT 50 Hz	P2 NOMINAL		RATED P2 JOCKEY	In A	FLOW m ³ /h	MAX OBTAINABLE PRESSURE BAR	STANDARD PRESSURE BAR
		kW	HP	kW				
1 NKP-G 40-250/230 + KVCX 65/80	3x400 V	15	20	2,2	31	10 – 70	7	6,5
1 NKP-G 40-250/245 + KVCX 65/80	3x400 V	18,5	25	2,2	36	10 – 70	8	7,5
1 NKP-G 40-250/260 + KVCX 65/80	3x400 V	22	30	2,2	43	10 – 70	9,3	8,5

MODEL	A max	A	A2	A3	B	B1*	D*	E	G*	I	H1	H2	H3	H4	DNA	DNM
1 NKP-G 40-250/230 + KVCX 65/80	1370	1290	477	-	550	230	385	556	1" 1/4	550	530	1600	1270	1835	DN100	DN80
1 NKP-G 40-250/245 + KVCX 65/80	1290	1290	579	-	550	230	385	556	1" 1/4	550	350	1600	1270	1835	DN100	DN80
1 NKP-G 40-250/260 + KVCX 65/80	1290	1290	579	-	550	230	385	556	1" 1/4	550	350	1600	1270	1835	DN100	DN80

* The sizes are for the set with jockey pump. For the sizes of the set without jockey pump, disregard B1, D, and G.
For the weights contact our sales network.

1 NKP-G 50 - RESIDENTIAL/INDUSTRIAL PRESSURE BOOSTER SETS

Pumped liquid temperature range: from -15 °C to +70 °C - Jockey pump pumped liquid temperature range: from +0 °C to +40 °C.
Maximum ambient temperature: +40 °C



The performance curves are based on kinematic viscosity values = 1 mm²/s and density equivalent to 1000 kg/m³
Curve tolerance according to ISO 9906.

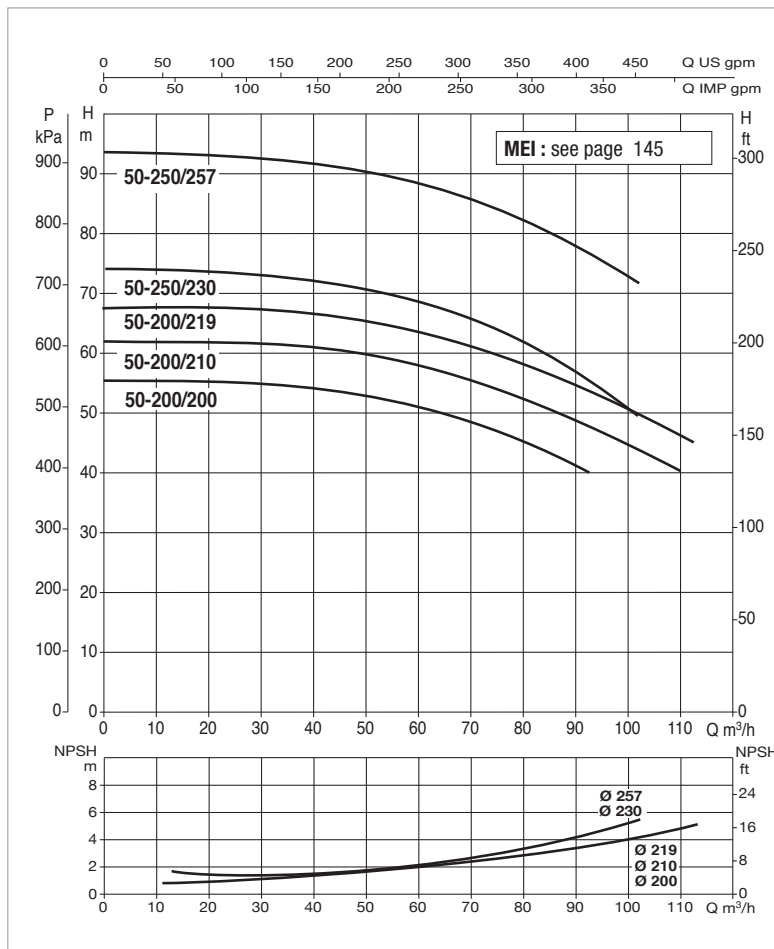
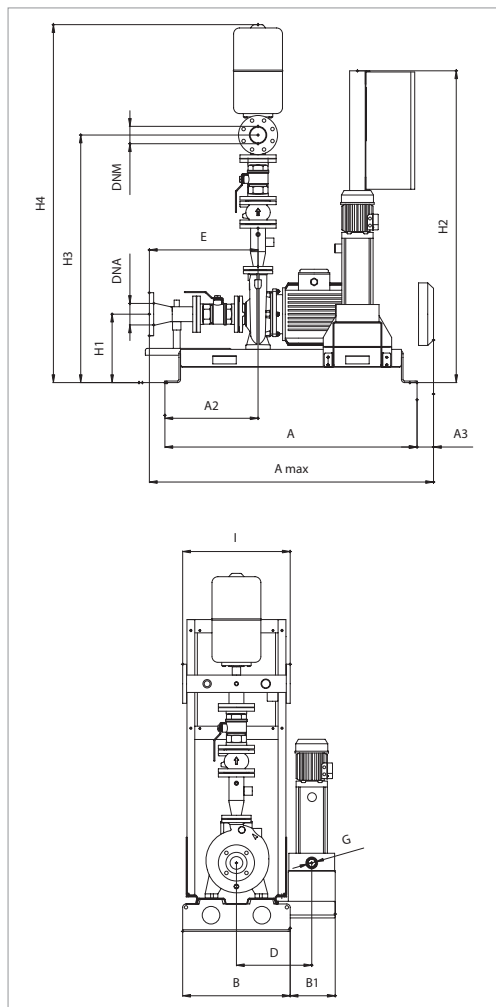
MODEL	POWER INPUT 50 Hz	P2 NOMINAL		RATED P2 JOCKEY	In A	FLOW m ³ /h	MAX OBTAINABLE PRESSURE BAR	STANDARD PRESSURE BAR
		kW	HP	kW				
1 NKP-G 50-160/153 + KVCX 65/50	3x400 V	7,5	10	1,1	14	10 – 80	3	2,5
1 NKP-G 50-160/169 + KVCX 65/80	3x400 V	11	15	2,2	22,5	10 – 90	3,8	3,3

MODEL	A	A max	B	B1*	D*	E	G*	H1	H2	H3	H4	I	DNA	DNM
1 NKP-G 50-160/153 + KVCX 65/50	560	1094	482	199	343	516	1" 1/4	260	1310	879	1716	550	DN100	DN100
1 NKP-G 50-160/169 + KVCX 65/80	560	1094	482	199	343	516	1" 1/4	260	1310	879	1716	550	DN100	DN100

* The sizes are for the set with jockey pump. For the sizes of the set without jockey pump, disregard B1, D, and G.
For the weights contact our sales network.

1 NKP-G 50 - RESIDENTIAL/INDUSTRIAL PRESSURE BOOSTER SETS

Pumped liquid temperature range: from -15 °C to +70 °C - Jockey pump pumped liquid temperature range: from +0 °C to +40 °C.
Maximum ambient temperature: +40 °C



The performance curves are based on kinematic viscosity values = 1 mm²/s and density equivalent to 1000 kg/m³
Curve tolerance according to ISO 9906.

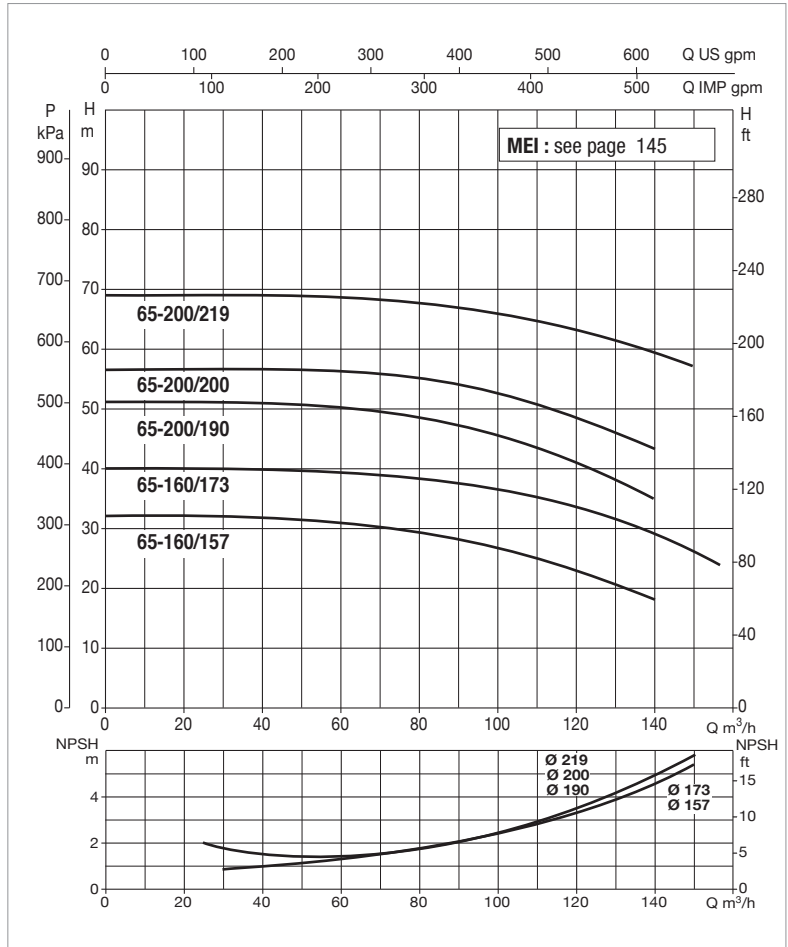
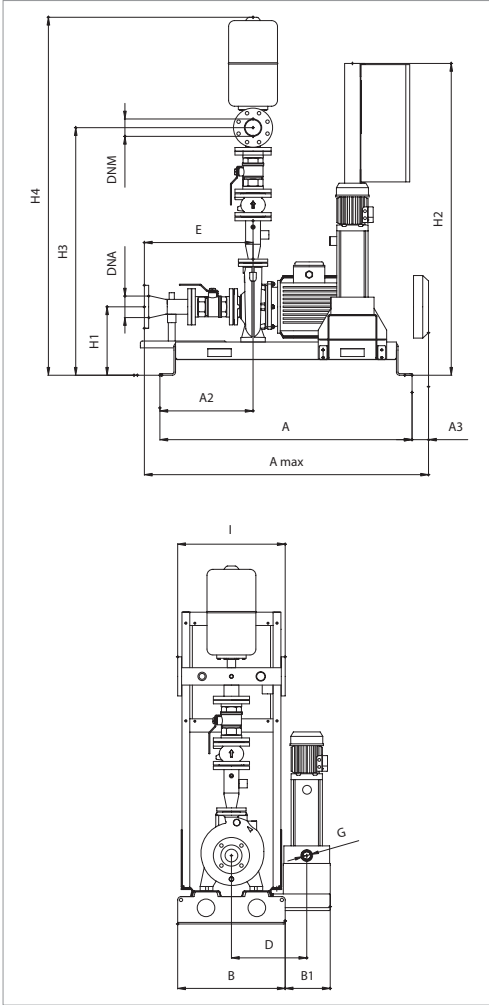
MODEL	POWER INPUT 50 Hz	P2 NOMINAL		RATED P2 JOCKEY	In A	FLOW m ³ /h	MAX OBTAINABLE PRESSURE BAR	STANDARD PRESSURE BAR
		kW	HP	kW				
1 NKP-G 50-200/200 + KVCX 65/80	3x400 V	15	20	2,2	31	10 – 90	5,2	5
1 NKP-G 50-200/210 + KVCX 65/80	3x400 V	18,5	25	2,2	36	10 – 110	6	5,5
1 NKP-G 50-200/219 + KVCX 65/80	3x400 V	22	30	2,2	43	10 – 110	6,5	6
1 NKP-G 50-250/230 + KVCX 65/80	3x400 V	22	30	2,2	43	10 – 100	7	6,5
1 NKP-G 50-250/257 + KVCX 65/80	3x400 V	30	40	2,2	57	10 – 100	9	8,5

MODEL	A max	A	A2	A3	B	B1*	D*	E	G*	I	H1	H2	H3	H4	DNA	DNM
1 NKP-G 50-200/200 + KVCX 65/80	1372	1290	434	-	550	230	385	516	1" 1/4	550	330	1600	1230	1805	DN100	DN100
1 NKP-G 50-200/210 + KVCX 65/80	1290	1290	579	-	550	230	385	516	1" 1/4	550	330	1600	1230	1805	DN100	DN100
1 NKP-G 50-200/219 + KVCX 65/80	1290	1290	579	-	550	230	385	516	1" 1/4	550	330	1600	1230	1805	DN100	DN100
1 NKP-G 50-250/230 + KVCX 65/80	1290	12990	579	-	550	230	385	516	1" 1/4	550	350	1600	1275	1855	DN100	DN100
1 NKP-G 50-250/257 + KVCX 65/80	1290	12990	579	-	550	230	385	516	1" 1/4	550	350	1600	1275	1855	DN100	DN100

* The sizes are for the set with jockey pump. For the sizes of the set without jockey pump, disregard B1, D, and G.
For the weights contact our sales network.

1 NKP-G 65 - RESIDENTIAL/INDUSTRIAL PRESSURE BOOSTER SETS

Pumped liquid temperature range: from -15 °C to +70 °C - Jockey pump pumped liquid temperature range: from +0 °C to +40 °C.
Maximum ambient temperature: +40 °C



The performance curves are based on kinematic viscosity values = 1 mm²/s and density equivalent to 1000 kg/m³
Curve tolerance according to ISO 9906.

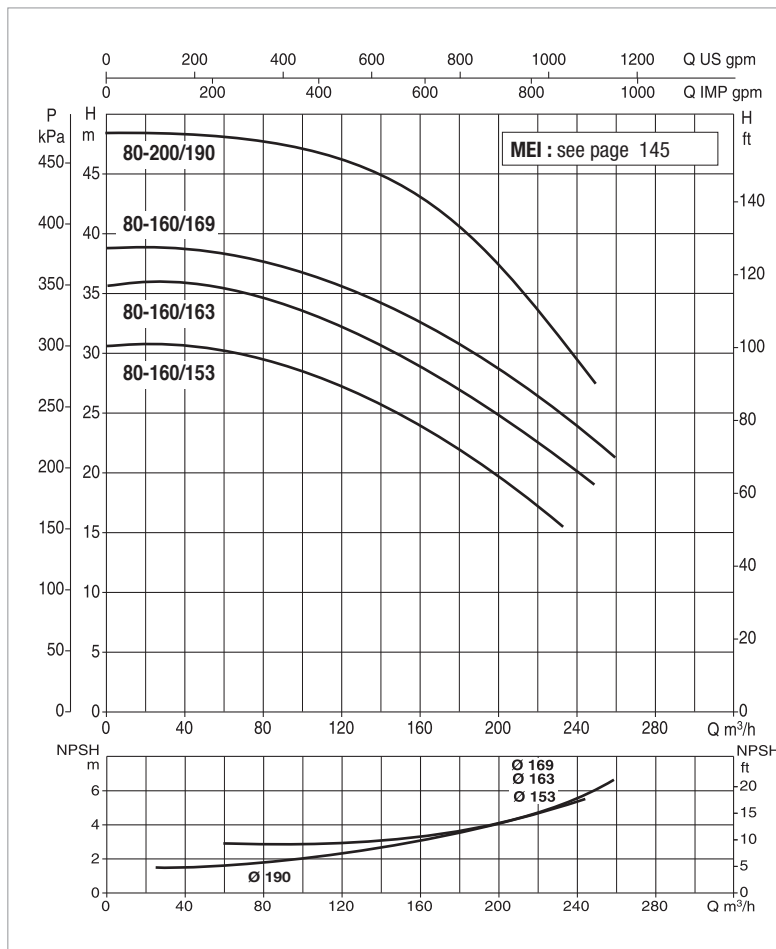
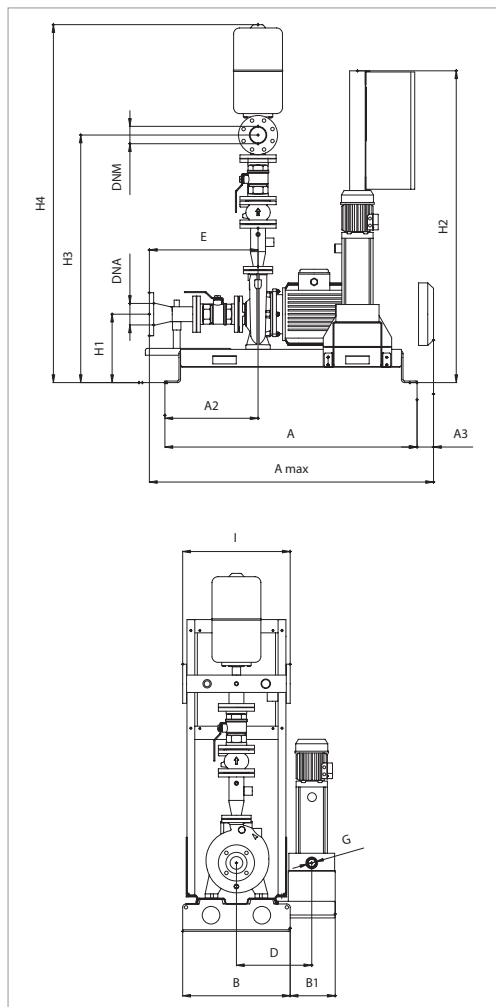
MODEL	POWER INPUT 50 Hz	P2 NOMINAL		RATED P2 JOCKEY	In A	FLOW m ³ /h	MAX OBTAINABLE PRESSURE BAR	STANDARD PRESSURE BAR
		kW	HP	kW				
1 NKP-G 65-160/157 + KVCX 65/80	3x400 V	11	15	2,2	20,4	20 - 140	3	2,5
1 NKP-G 65-160/173 + KVCX 65/80	3x400 V	15	20	2,2	27,5	20 - 150	3,8	3,5
1 NKP-G 65-200/190 + KVCX 65/80	3x400 V	18,5	25	2,2	33,5	20 - 140	5	4,5
1 NKP-G 65-200/200 + KVCX 65/80	3x400 V	22	30	2,2	39,5	20 - 140	5,5	5
1 NKP-G 65-200/219 + KVCX 65/80	3x400 V	30	40	2,2	52,5	20 - 140	6,5	6

MODEL	A max	A	A2	A3	B	B1*	D*	E	G*	I	H1	H2	H3	H4	DNA	DNM
1 NKP-G 65-160/157 + KVCX 65/80	1400	1290	445	-	550	230	385	556	1" 1/4	550	350	1600	1320	1910	DN125	DN125
1 NKP-G 65-160/173 + KVCX 65/80	1400	1290	445	-	550	230	385	556	1" 1/4	550	350	1600	1320	1910	DN125	DN125
1 NKP-G 65-200/190 + KVCX 65/80	1400	1290	445	-	550	230	385	556	1" 1/4	550	350	1600	1345	1935	DN125	DN125
1 NKP-G 65-200/200 + KVCX 65/80	1380	1290	511	45	550	230	385	556	1" 1/4	550	350	1600	1345	1935	DN125	DN125
1 NKP-G 65-200/219 + KVCX 65/80	1440	1290	464	60	550	230	385	556	1" 1/4	550	370	1600	1365	1955	DN125	DN125

* The sizes are for the set with jockey pump. For the sizes of the set without jockey pump, disregard B1, D, and G.
For the weights contact our sales network.

1 NKP-G 80 - RESIDENTIAL/INDUSTRIAL PRESSURE BOOSTER SETS

Pumped liquid temperature range: from -15 °C to +70 °C - Jockey pump pumped liquid temperature range: from +0 °C to +40 °C.
Maximum ambient temperature: +40 °C



The performance curves are based on kinematic viscosity values = 1 mm²/s and density equivalent to 1000 kg/m³
Curve tolerance according to ISO 9906.

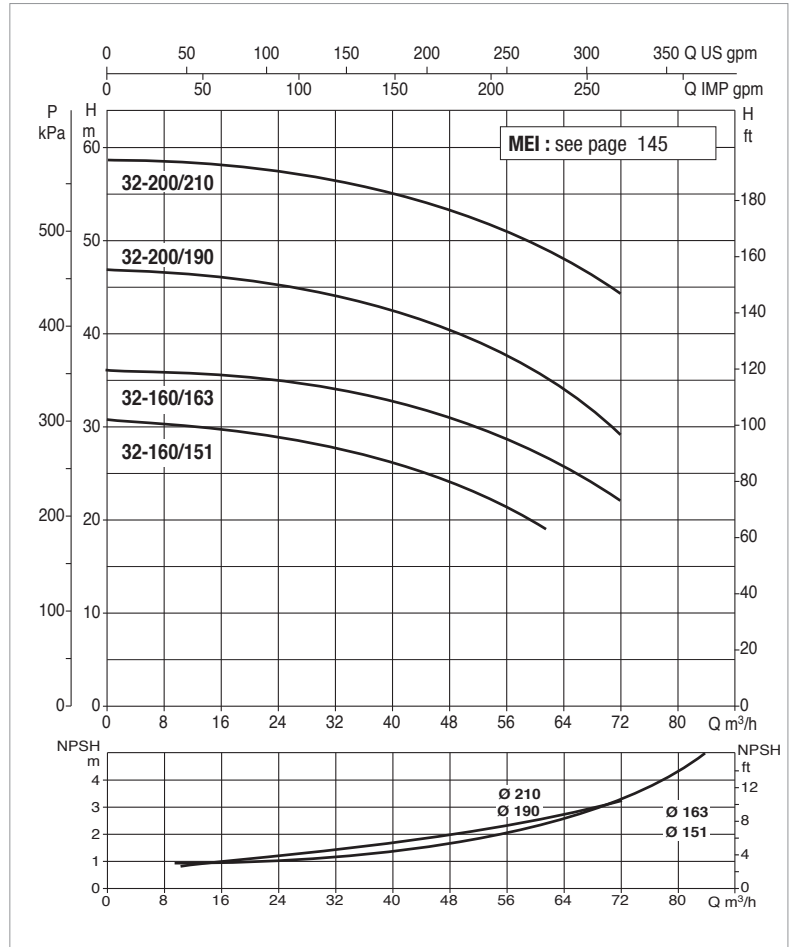
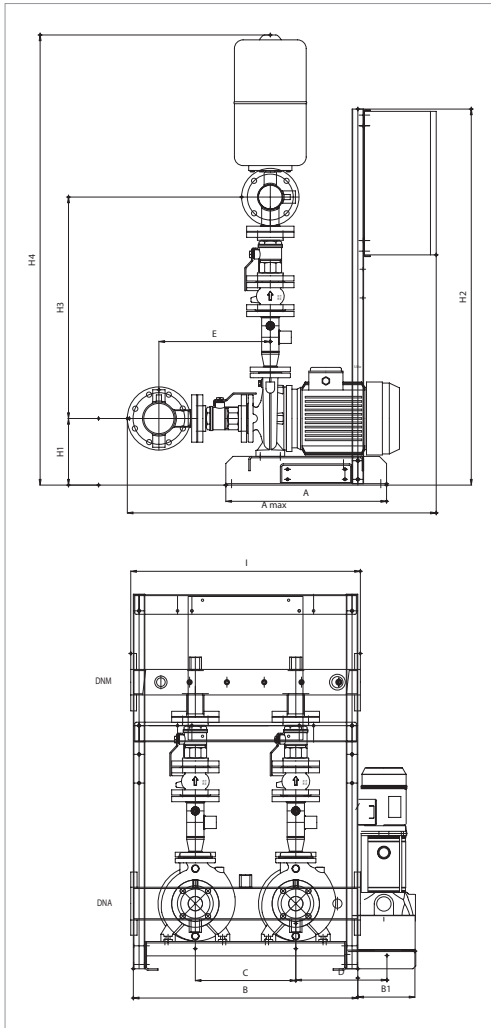
MODEL	POWER INPUT 50 Hz	P2 NOMINAL		RATED P2 JOCKEY	In A	FLOW m ³ /h	MAX OBTAINABLE PRESSURE BAR	STANDARD PRESSURE BAR
		kW	HP	kW				
1 NKP-G 80-160/153 + KVCX 65/80	3x400 V	15	20	2,2	27,5	40 - 220	2,8	2,5
1 NKP-G 80-160/163 + KVCX 65/80	3x400 V	18,5	25	2,2	33,5	40 - 240	3,3	3
1 NKP-G 80-160/169 + KVCX 65/80	3x400 V	22	30	2,2	39,5	40 - 240	3,7	3,3
1 NKP-G 80-200/190 + KVCX 65/80	3x400 V	30	40	2,2	52,5	40 - 240	4,6	4,5

MODEL	A max	A	A2	A3	B	B1*	D*	E	G*	I	H1	H2	H3	H4	DNA	DNM
1NKP-G 80-160/153 + KVCX 65/80	1445	1290	445	-	550	230	385	596	1" 1/4	550	350	1600	1435	2040	DN150	DN150
1NKP-G 80-160/163 + KVCX 65/80	1445	1290	445	-	550	230	385	596	1" 1/4	550	350	1600	1435	2040	DN150	DN150
1NKP-G 80-160/169 + KVCX 65/80	1420	1290	511	45	550	230	385	596	1" 1/4	550	350	1600	1435	2040	DN150	DN150
1NKP-G 80-200/190 + KVCX 65/80	1510	1290	434	60	550	230	385	596	1" 1/4	550	370	1600	1480	2085	DN150	DN150

* The sizes are for the set with jockey pump. For the sizes of the set without jockey pump, disregard B1, D, and G.
For the weights contact our sales network.

2 NKP-G 32 - RESIDENTIAL/INDUSTRIAL PRESSURE BOOSTER SETS

Pumped liquid temperature range: from -15 °C to +70 °C - Jockey pump pumped liquid temperature range: from +0 °C to +40 °C.
Maximum ambient temperature: +40 °C



The performance curves are based on kinematic viscosity values = 1 mm²/s and density equivalent to 1000 kg/m³
Curve tolerance according to ISO 9906.
Overall performance taking into account TWO pumps working at the same time.

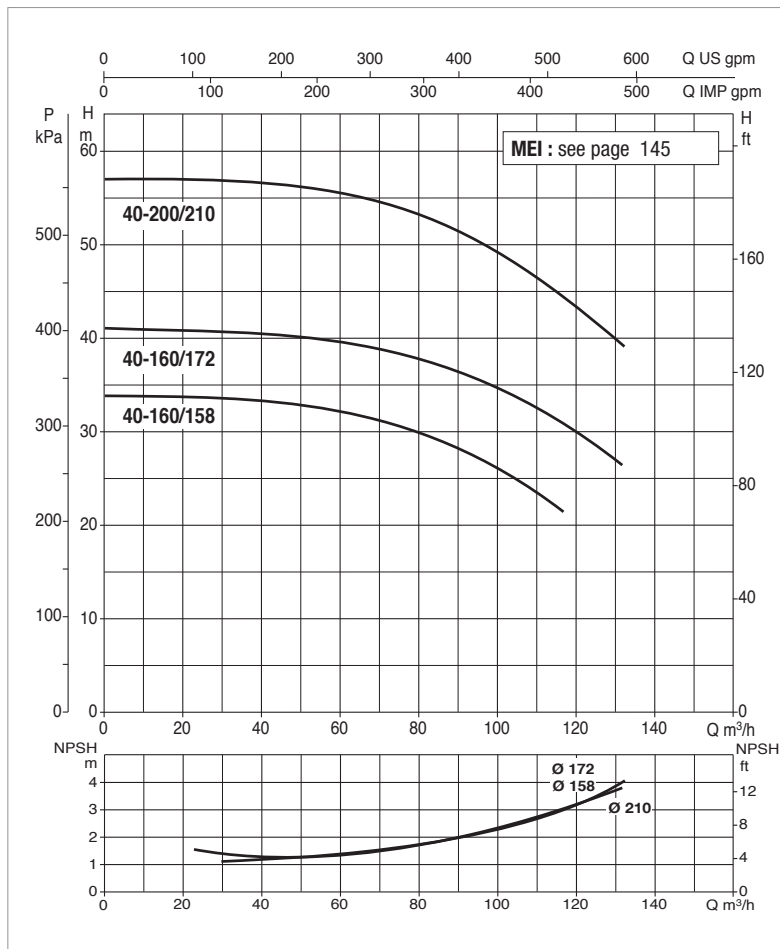
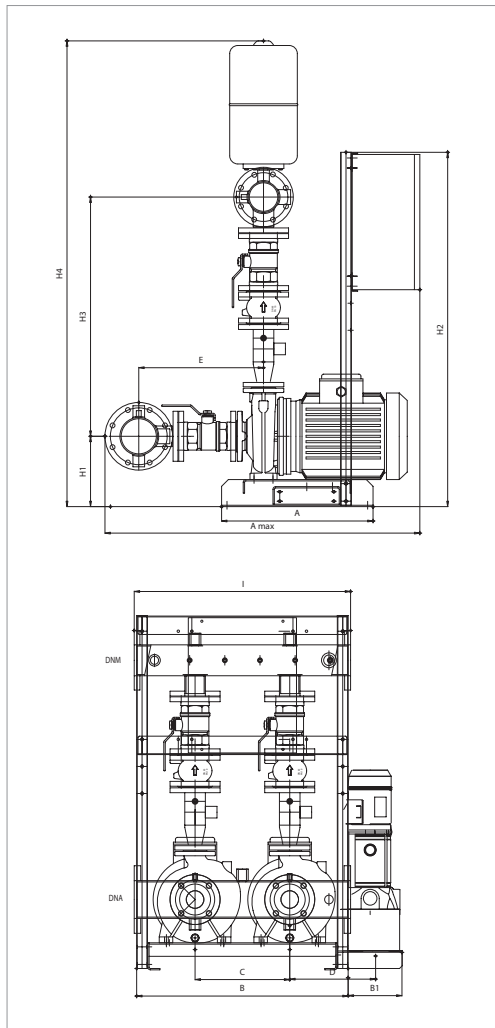
MODEL	POWER INPUT 50 Hz	P2 NOMINAL		RATED P2 JOCKEY	In A	FLOW m ³ /h	MAX OBTAINABLE PRESSURE BAR	STANDARD PRESSURE BAR
		kW	HP	kW				
2NKP-G 32-160/151 + KVCX 65/50	3x400 V	2 x 3	2 x 4	1,1	2 x 6,7	4 - 56	3	2,5
2NKP-G 32-160/163 + KVCX 65/50	3x400 V	2 x 4	2 x 5,5	1,1	2 x 8,7	4 - 64	3,5	3
2NKP-G 32-200/190 + KVCX 65/50	3x400 V	2 x 5,5	2 x 7,5	1,1	2 x 11,6	4 - 64	4,5	4
2NKP-G 32-200/210 + KVCX 65/50	3x400 V	2 x 7,5	2 x 10	1,1	2 x 14	4 - 64	5,6	5

MODEL	A	A max	B	B1*	C	D*	E	H1	H2	H3	H4	I	DNA	DNM
2NKP-G 32-160/151 + KVCX 65/50	560	1078	782	199	350	318	388	232	1310	771	1568	800	DN100	DN80
2NKP-G 32-160/163 + KVCX 65/50	560	1078	782	199	350	318	388	232	1310	771	1568	800	DN100	DN80
2NKP-G 32-200/190 + KVCX 65/50	560	1078	782	199	350	318	388	260	1310	791	1616	800	DN100	DN80
2NKP-G 32-200/210 + KVCX 65/50	560	1078	782	199	350	318	388	260	1310	791	1616	800	DN100	DN80

* The sizes are for the set with jockey pump. For the sizes of the set without jockey pump, disregard B1, D, and G.
For the weights contact our sales network.

2 NKP-G 40 - RESIDENTIAL/INDUSTRIAL PRESSURE BOOSTER SETS

Pumped liquid temperature range: from -15 °C to +70 °C - Jockey pump pumped liquid temperature range: from +0 °C to +40 °C.
Maximum ambient temperature: +40 °C



The performance curves are based on kinematic viscosity values = 1 mm²/s and density equivalent to 1000 kg/m³
Curve tolerance according to ISO 9906.
Overall performance taking into account TWO pumps working at the same time.

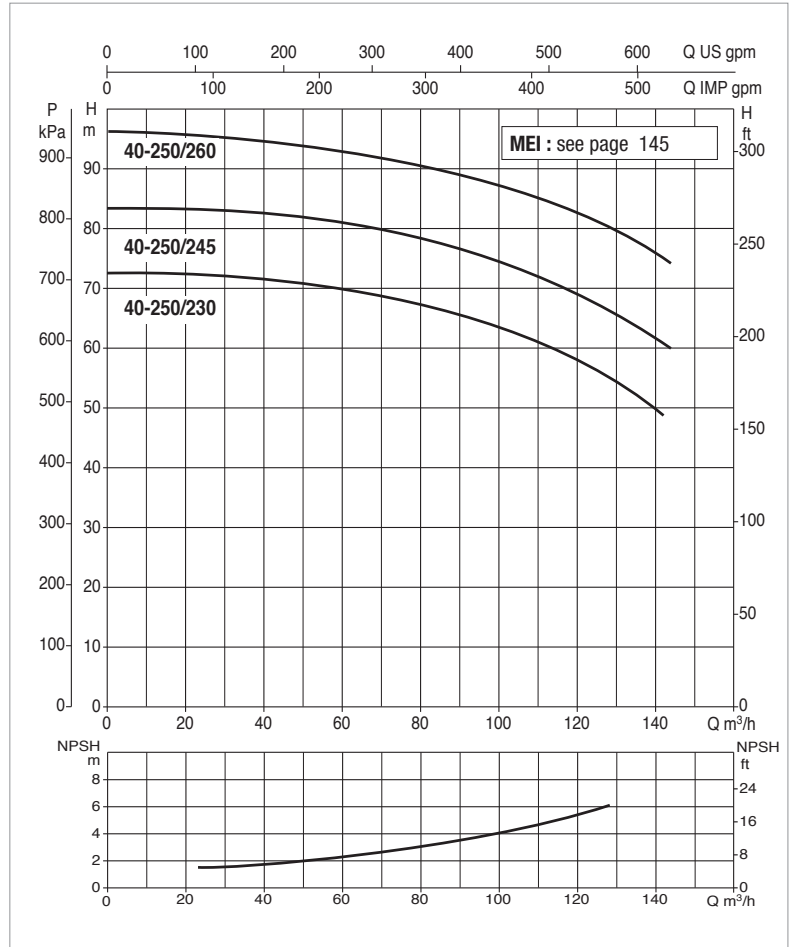
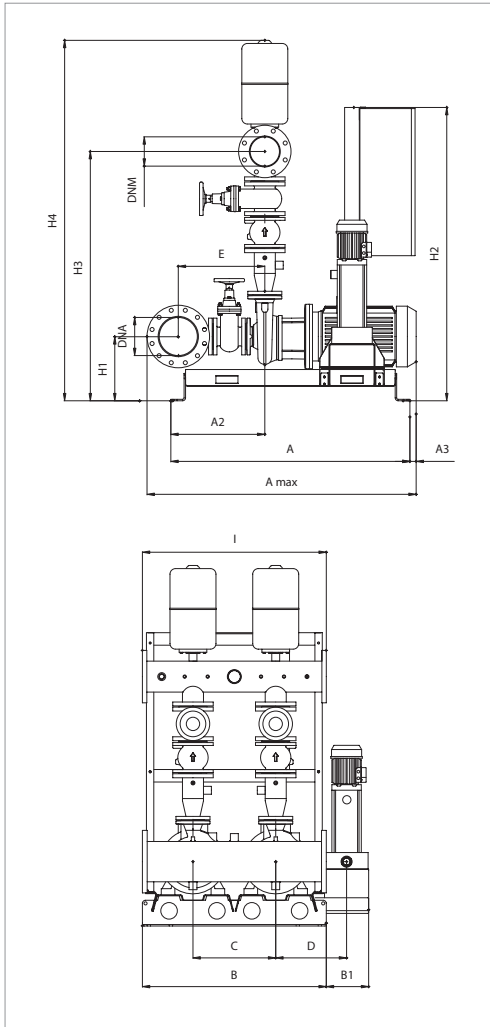
MODEL	POWER INPUT 50 Hz	P2 NOMINAL		RATED P2 JOCKEY	In A	FLOW m ³ /h	MAX OBTAINABLE PRESSURE BAR	STANDARD PRESSURE BAR
		kW	HP	kW				
2NKP-G 40-160/158 + KVCX 65/50	3x400 V	2x5,5	2x7,5	1,1	2x11,6	10 – 110	3,3	3
2NKP-G 40-160/172 + KVCX 65/50	3x400 V	2x7,5	2x10	1,1	2x14	10 – 120	4	3,5
2NKP-G 40-200/210 + KVCX 65/80	3x400 V	2x11	2x15	2,2	2x22,5	10 – 120	5,5	5

MODEL	A	A max	B	B1*	C	D*	E	H1	H2	H3	H4	I	DNA	DNM
2NKP-G 40-160/158 + KVCX 65/50	560	1144	782	199	350	318	441	232	1310	865	1674	800	DN125	DN100
2NKP-G 40-160/172 + KVCX 65/50	560	1144	782	199	350	318	441	232	1310	865	1674	800	DN125	DN100
2NKP-G 40-200/210 + KVCX 65/80	560	1164	782	199	350	318	461	260	1310	885	1772	800	DN125	DN100

* The sizes are for the set with jockey pump. For the sizes of the set without jockey pump, disregard B1, D, and G.
For the weights contact our sales network.

2 NKP-G 40 -RESIDENTIAL/INDUSTRIAL PRESSURE BOOSTER SETS

Pumped liquid temperature range: from -15 °C to +70 °C - Jockey pump pumped liquid temperature range: from +0 °C to +40 °C.
Maximum ambient temperature: +40 °C



The performance curves are based on kinematic viscosity values = 1 mm²/s and density equivalent to 1000 kg/m³
Curve tolerance according to ISO 9906.
Overall performance taking into account TWO pumps working at the same time.

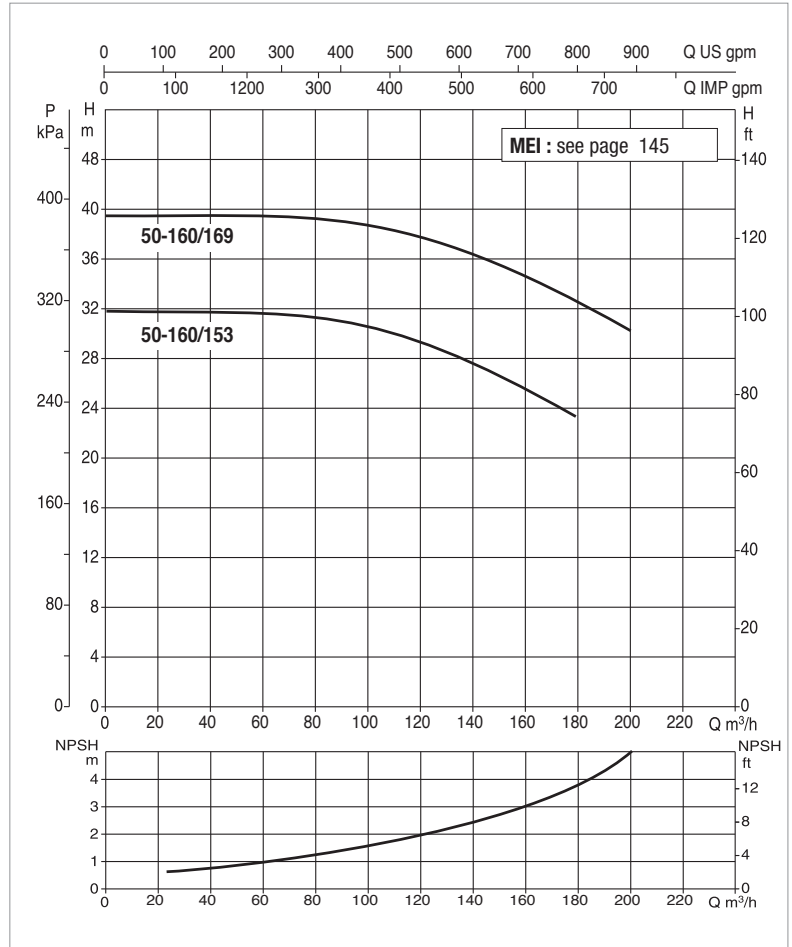
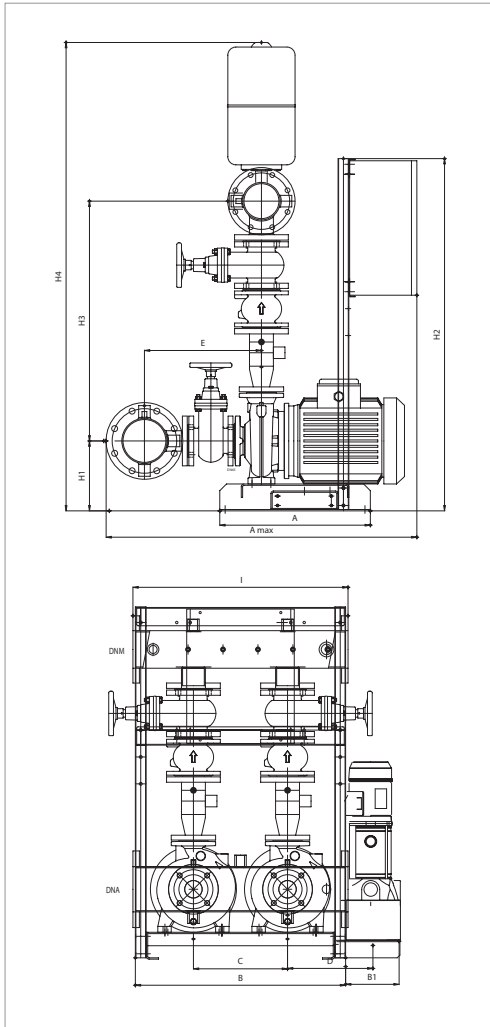
MODEL	POWER INPUT 50 Hz	P2 NOMINAL		RATED P2 JOCKEY	In A	FLOW m ³ /h	MAX OBTAINABLE PRESSURE BAR	STANDARD PRESSURE BAR
		KW	HP	KW				
2NKP-G 40-250/230 + KVCX 65/80	3x400 V	2 x 15	2 x 20	2,2	2 x 31	10 – 140	7	6,5
2NKP-G 40-250/245 + KVCX 65/80	3x400 V	2 x 18,5	2 x 25	2,2	2 x 36	10 – 140	8	7,5
2NKP-G 40-250/260 + KVCX 65/80	3x400 V	2 x 22	2 x 30	2,2	2 x 43	10 – 140	9,3	8,5

MODEL	A max	A	A2	A3	B	B1*	C	D*	E	I	H1	H2	H3	H4	DNA	DNM
2NKP-G 40-250/230 + KVCX 65/80	1400	1290	477	-	1000	230	450	385	460	1000	350	1600	1280	1860	DN125	DN100
2NKP-G 40-250/245 + KVCX 65/80	1300	1290	579	-	1000	230	450	385	460	1000	350	1600	1280	1860	DN125	DN100
2NKP-G 40-250/260 + KVCX 65/80	1300	1290	579	-	1000	230	450	385	460	1000	350	1600	1280	1860	DN125	DN100

* The sizes are for the set with jockey pump. For the sizes of the set without jockey pump, disregard B1, D, and G.
For the weights contact our sales network.

2 NKP-G 50 - RESIDENTIAL/INDUSTRIAL PRESSURE BOOSTER SETS

Pumped liquid temperature range: from -15 °C to +70 °C - Jockey pump pumped liquid temperature range: from +0 °C to +40 °C.
Maximum ambient temperature: +40 °C



The performance curves are based on kinematic viscosity values = 1 mm²/s and density equivalent to 1000 kg/m³
Curve tolerance according to ISO 9906.
Overall performance taking into account TWO pumps working at the same time.

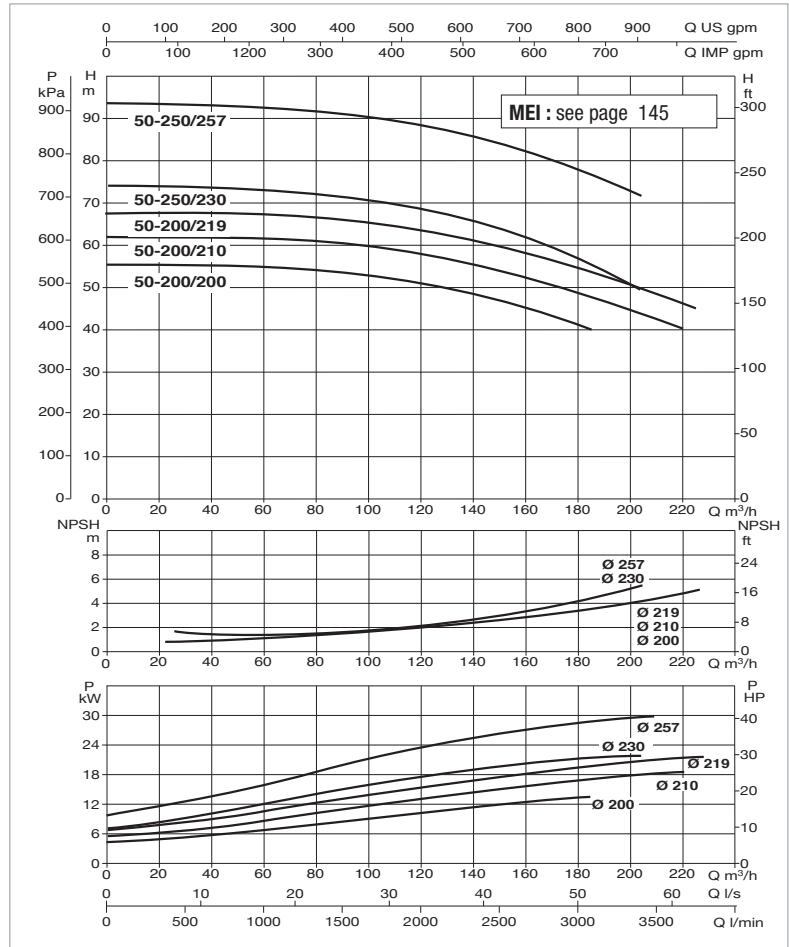
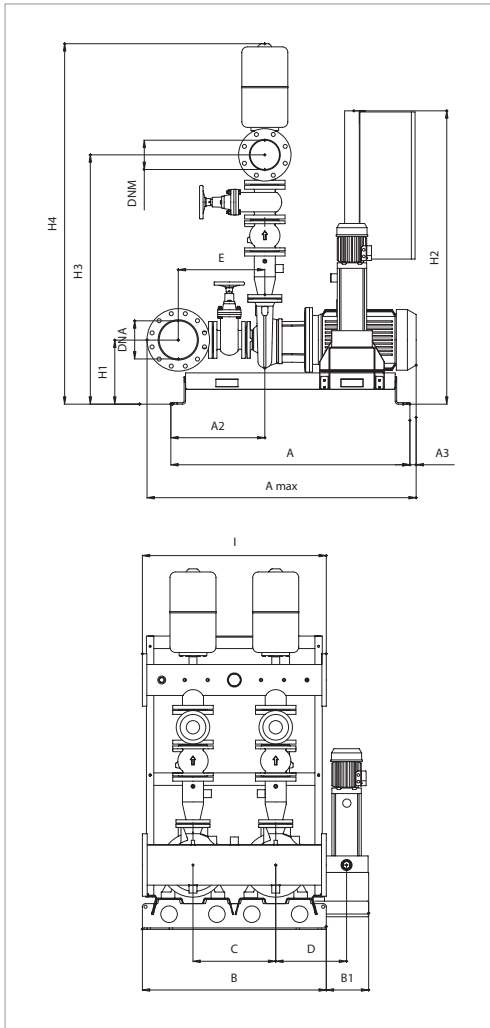
MODEL	POWER INPUT 50 Hz	P2 NOMINAL		RATED P2 JOCKEY	In A	FLOW m ³ /h	MAX OBTAINABLE PRESSURE BAR	STANDARD PRESSURE BAR
		kW	HP	kW				
2NKP-G 50-160/153 + KVCX 65/50	3x400 V	2 x 7,5	2 x 10	1,1	2 x 14	10 – 160	3	2,5
2NKP-G 50-160/169 + KVCX 65/80	3x400 V	2 x 11	2 x 15	2,2	2 x 22,5	10 – 180	3,8	3,3

MODEL	A	A max	B	B1*	C	D*	E	H1	H2	H3	H4	I	DNA	DNM
2NKP-G 50-160/153 + KVCX 65/50	560	1156	782	199	350	318	435	260	1310	892	1742	800	DN150	DN125
2NKP-G 50-160/169 + KVCX 65/80	560	1156	782	199	350	318	435	260	1310	892	1742	800	DN150	DN125

* The sizes are for the set with jockey pump. For the sizes of the set without jockey pump, disregard B1, D, and G.
For the weights contact our sales network.

2 NKP-G 50 - RESIDENTIAL/INDUSTRIAL PRESSURE BOOSTER SETS

Pumped liquid temperature range: from -15 °C to +70 °C - Jockey pump pumped liquid temperature range: from +0 °C to +40 °C.
Maximum ambient temperature: +40 °C



The performance curves are based on kinematic viscosity values = 1 mm²/s and density equivalent to 1000 kg/m³
Curve tolerance according to ISO 9906.
Overall performance taking into account TWO pumps working at the same time.

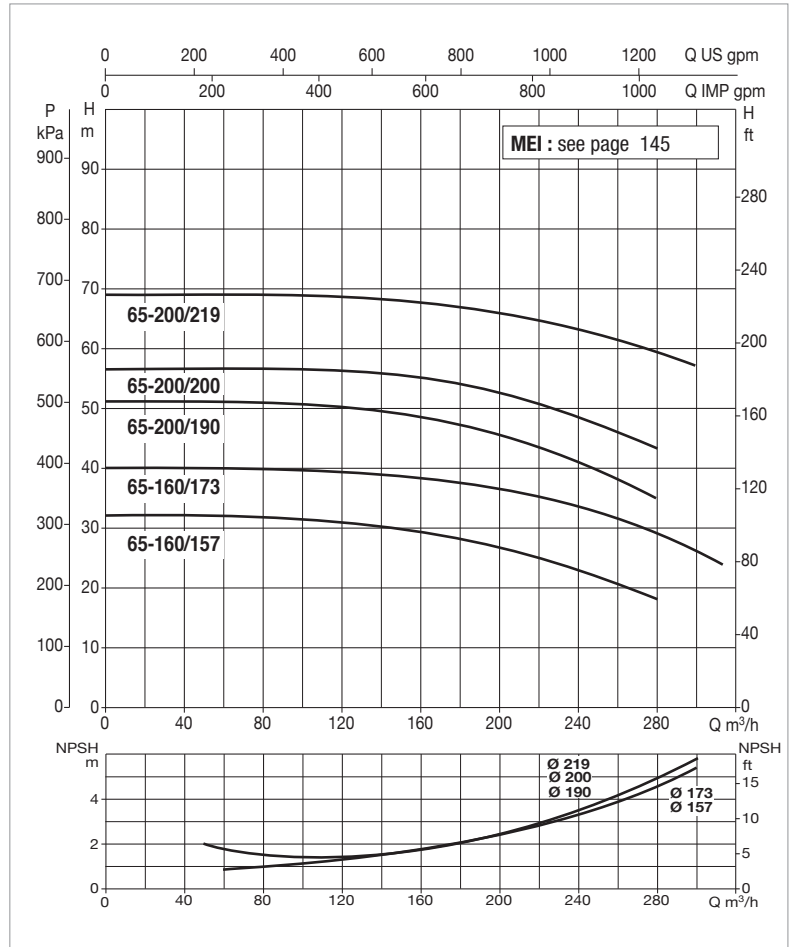
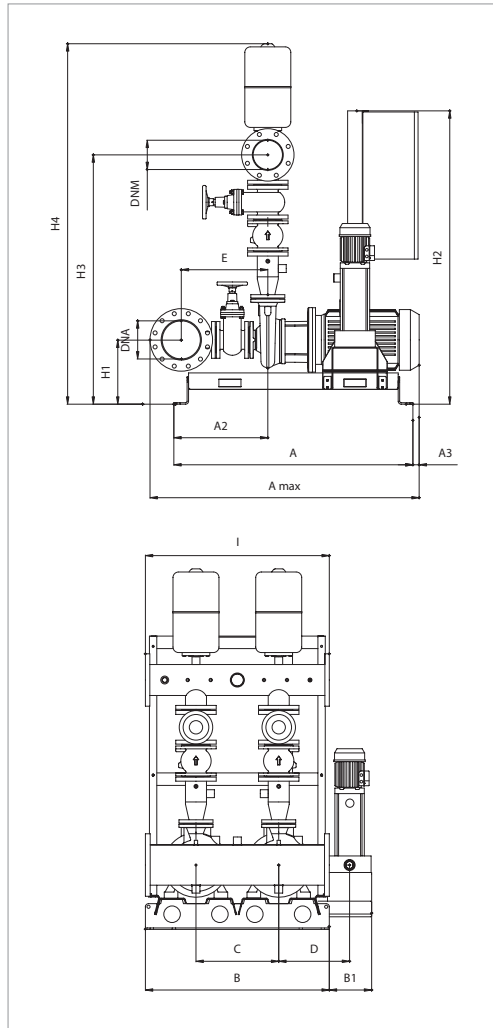
MODEL	POWER INPUT 50 Hz	P2 NOMINAL		RATED P2 JOCKEY	In A	FLOW m ³ /h	MAX OBTAINABLE PRESSURE BAR	STANDARD PRESSURE BAR
		KW	HP	KW				
2NKP-G 50-200/200 + KVCX 65/80	3x400 V	2 x 15	2 x 20	2,2	2 x 31	10 – 180	5,2	5
2NKP-G 50-200/210 + KVCX 65/80	3x400 V	2 x 18,5	2 x 25	2,2	2 x 36	10 – 220	6	5,5
2NKP-G 50-200/219 + KVCX 65/80	3x400 V	2 x 22	2 x 30	2,2	2 x 43	10 – 220	6,5	6
2NKP-G 50-250/230 + KVCX 65/80	3x400 V	2 x 22	2 x 30	2,2	2 x 43	10 – 200	7	6,5
2NKP-G 50-250/257 + KVCX 65/80	3x400 V	2 x 30	2 x 40	2,2	2 x 57	10 – 200	9	8,5

MODEL	A max	A	A2	B	B1*	C	D*	E	I	H1	H2	H3	H4	DNA	DNM
2NKP-G 50-200/200 + KVCX 65/80	1440	1290	434	1000	230	450	385	435	1000	330	1600	1245	1835	DN150	DN125
2NKP-G 50-200/210 + KVCX 65/80	1290	1290	579	1000	230	450	385	435	1000	330	1600	1245	1835	DN150	DN125
2NKP-G 50-200/219 + KVCX 65/80	1290	1290	579	1000	230	450	385	435	1000	330	1600	1245	1835	DN150	DN125
2NKP-G 50-250/230 + KVCX 65/80	1290	1290	579	1000	230	450	385	435	1000	350	1600	1290	1880	DN150	DN125
2NKP-G 50-250/257 + KVCX 65/80	1290	1290	579	1000	230	450	385	435	1000	350	1600	1290	1880	DN150	DN125

* The sizes are for the set with jockey pump. For the sizes of the set without jockey pump, disregard B1, D, and G.
For the weights contact our sales network.

2 NKP-G 65 - RESIDENTIAL/INDUSTRIAL PRESSURE BOOSTER SETS

Pumped liquid temperature range: from -15 °C to +70 °C - Jockey pump pumped liquid temperature range: from +0 °C to +40 °C.
Maximum ambient temperature: +40 °C



The performance curves are based on kinematic viscosity values = 1 mm²/s and density equivalent to 1000 kg/m³
Curve tolerance according to ISO 9906.
Overall performance taking into account TWO pumps working at the same time.

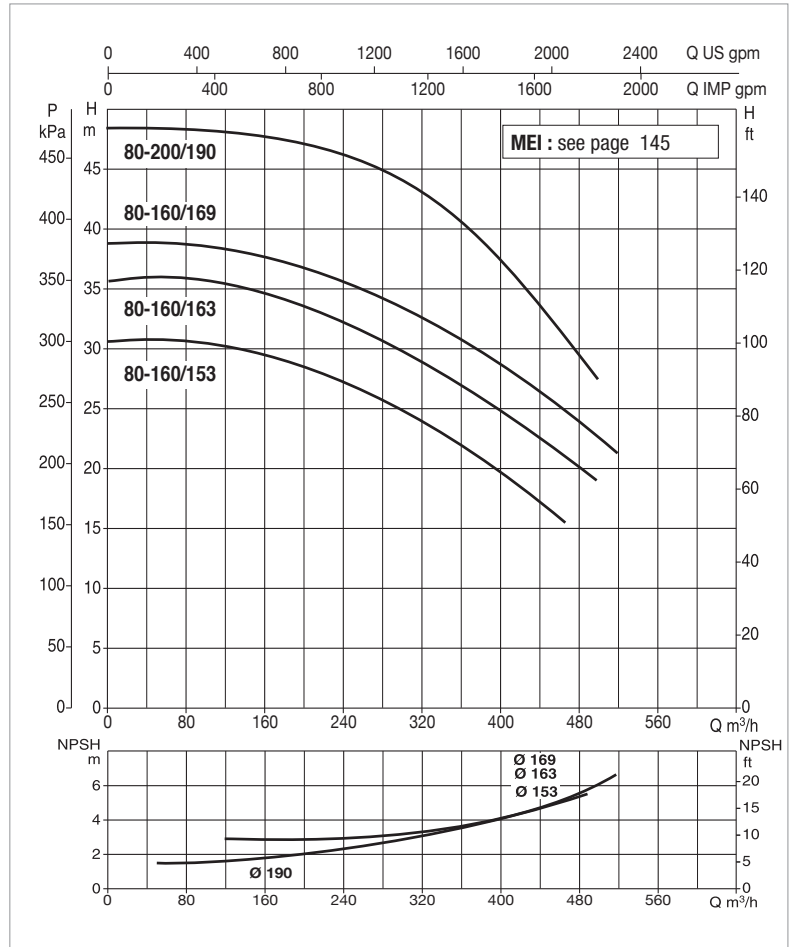
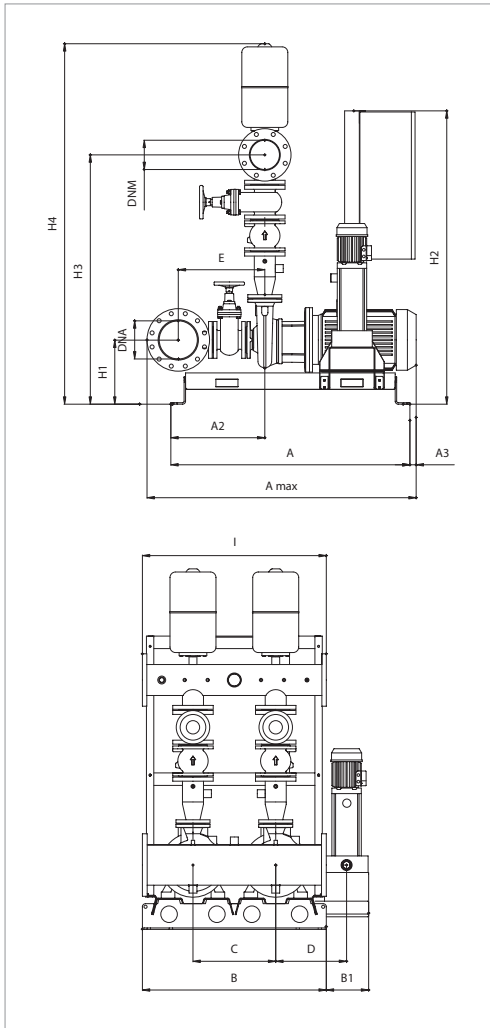
MODEL	POWER INPUT 50 Hz	P2 NOMINAL		RATED P2 JOCKEY	In A	FLOW m ³ /h	MAX OBTAINABLE PRESSURE BAR	STANDARD PRESSURE BAR
		kW	HP	kW				
2NKP-G 65-160/157 + KVCX 65/80	3x400 V	2 x 11	2 x 15	2,2	2 x 20,4	20 - 280	3	2,5
2NKP-G 65-160/173 + KVCX 65/80	3x400 V	2 x 15	2 x 20	2,2	2 x 27,5	20 - 300	3,8	3,5
2NKP-G 65-200/190 + KVCX 65/80	3x400 V	2 x 18,5	2 x 25	2,2	2 x 33,5	20 - 280	5	4,5
2NKP-G 65-200/200 + KVCX 65/80	3x400 V	2 x 22	2 x 30	2,2	2 x 39,5	20 - 280	5,5	5
2NKP-G 65-200/219 + KVCX 65/80	3x400 V	2 x 30	2 x 40	2,2	2 x 52,5	20 - 280	6,5	6

MODEL	A max	A	A2	A3	B	B1*	C	D*	E	I	H1	H2	H3	H4	DNA	DNM
2NKP-G 65-160/157 + KVCX 65/80	1490	1290	445	-	1000	230	450	385	470	1000	350	1600	1335	1940	DN200	DN150
2NKP-G 65-160/173 + KVCX 65/80	1490	1290	445	-	1000	230	450	385	470	1000	350	1600	1335	1940	DN200	DN150
2NKP-G 65-200/190 + KVCX 65/80	1490	1290	445	-	1000	230	450	385	470	1000	350	1600	1360	1965	DN200	DN150
2NKP-G 65-200/200 + KVCX 65/80	1465	1290	511	45	1000	230	450	385	470	1000	350	1600	1360	1965	DN200	DN150
2NKP-G 65-200/219 + KVCX 65/80	1530	1290	464	60	1000	230	450	385	470	1000	370	1600	1380	1985	DN200	DN150

* The sizes are for the set with jockey pump. For the sizes of the set without jockey pump, disregard B1, D, and G.
For the weights contact our sales network.

2 NKP-G 80 - RESIDENTIAL/INDUSTRIAL PRESSURE BOOSTER SETS

Pumped liquid temperature range: from -15 °C to +70 °C - Jockey pump pumped liquid temperature range: from +0 °C to +40 °C.
Maximum ambient temperature: +40 °C



The performance curves are based on kinematic viscosity values = 1 mm²/s and density equivalent to 1000 kg/m³
Curve tolerance according to ISO 9906.
Overall performance taking into account TWO pumps working at the same time.

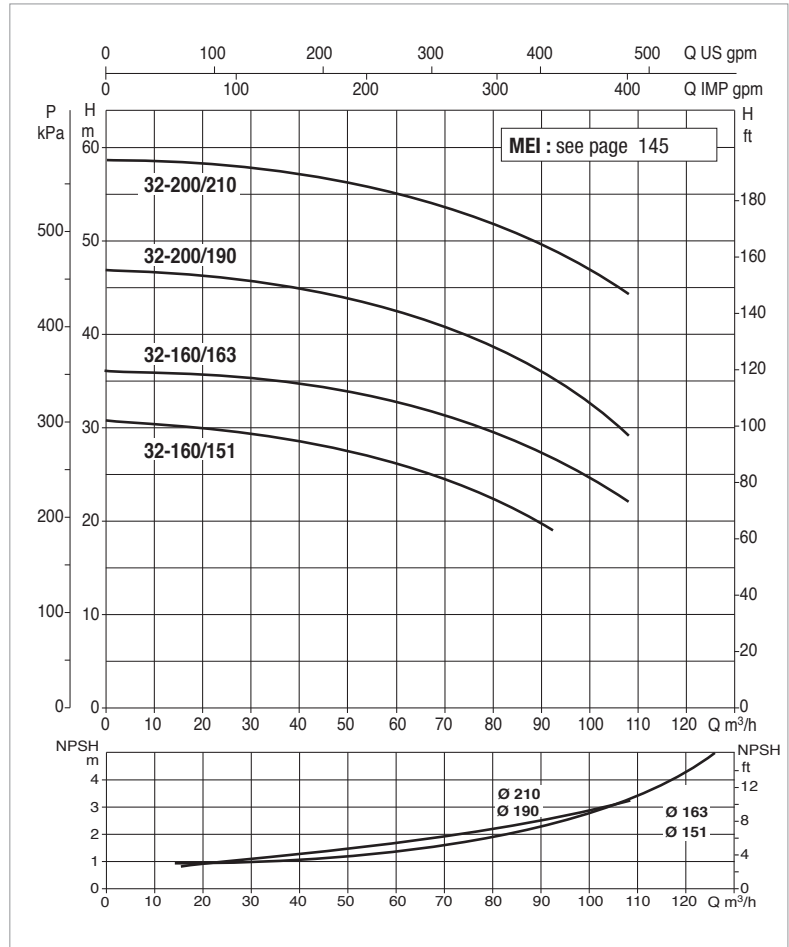
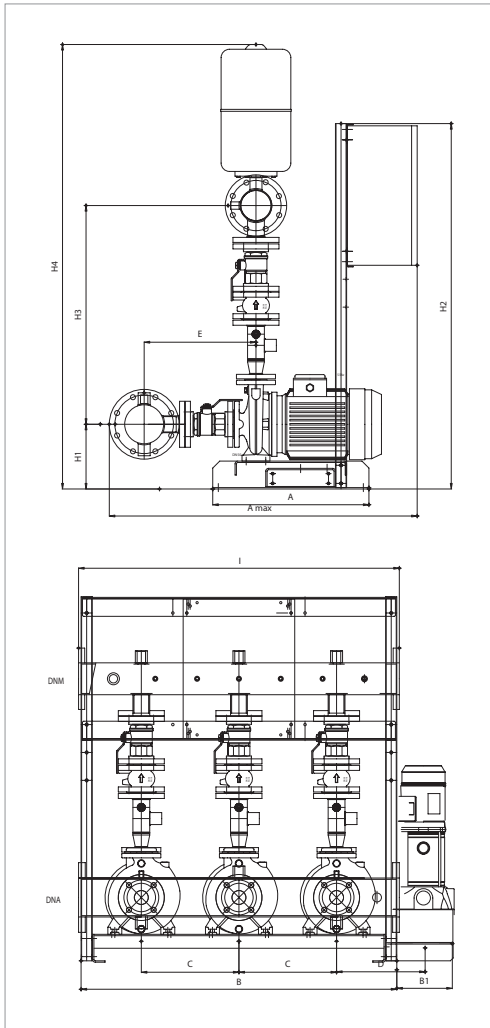
MODEL	POWER INPUT 50 Hz	P2 NOMINAL		RATED P2 JOCKEY	In A	FLOW m ³ /h	MAX OBTAINABLE PRESSURE BAR	STANDARD PRESSURE BAR
		KW	HP	KW				
2NKP-G 80-160/153 + KVCX 65/80	3x400 V	2 x 15	2 x 20	2,2	2 x 27,5	40 - 440	2,8	2,5
2NKP-G 80-160/163 + KVCX 65/80	3x400 V	2 x 18,5	2 x 25	2,2	2 x 33,5	40 - 480	3,3	3
2NKP-G 80-160/169 + KVCX 65/80	3x400 V	2 x 22	2 x 30	2,2	2 x 39,5	40 - 480	3,7	3,3
2NKP-G 80-200/190 + KVCX 65/80	3x400 V	2 x 30	2 x 40	2,2	2 x 52,5	40 - 480	4,6	4,5

MODEL	A max	A	A2	A3	B	B1*	C	D*	E	I	H1	H2	H3	H4	DNA	DNM
2NKP-G 80-160/153 + KVCX 65/80	1580	1290	445	-	1000	230	450	385	532	1000	350	1600	1460	2090	DN250	DN200
2NKP-G 80-160/163 + KVCX 65/80	1580	1290	445	-	1000	230	450	385	532	1000	350	1600	1460	2090	DN250	DN200
2NKP-G 80-160/169 + KVCX 65/80	1560	1290	511	45	1000	230	450	385	532	1000	350	1600	1460	2090	DN250	DN200
2NKP-G 80-200/190 + KVCX 65/80	1650	1290	434	60	1000	230	450	385	532	1000	370	1600	1505	2135	DN250	DN200

* The sizes are for the set with jockey pump. For the sizes of the set without jockey pump, disregard B1, D, and G.
For the weights contact our sales network.

3 NKP-G 32 - RESIDENTIAL/INDUSTRIAL PRESSURE BOOSTER SETS

Pumped liquid temperature range: from -15 °C to +70 °C - Jockey pump pumped liquid temperature range: from +0 °C to +40 °C.
Maximum ambient temperature: +40 °C



The performance curves are based on kinematic viscosity values = 1 mm²/s and density equivalent to 1000 kg/m³
Curve tolerance according to ISO 9906.
Overall performance taking into account THREE pumps working at the same time.

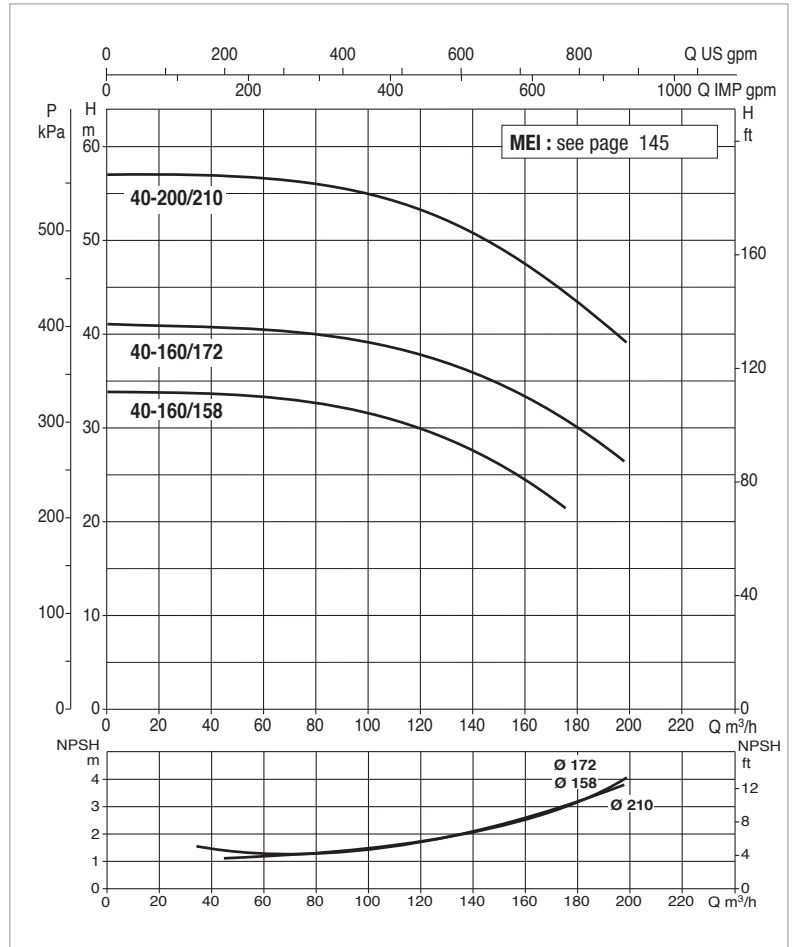
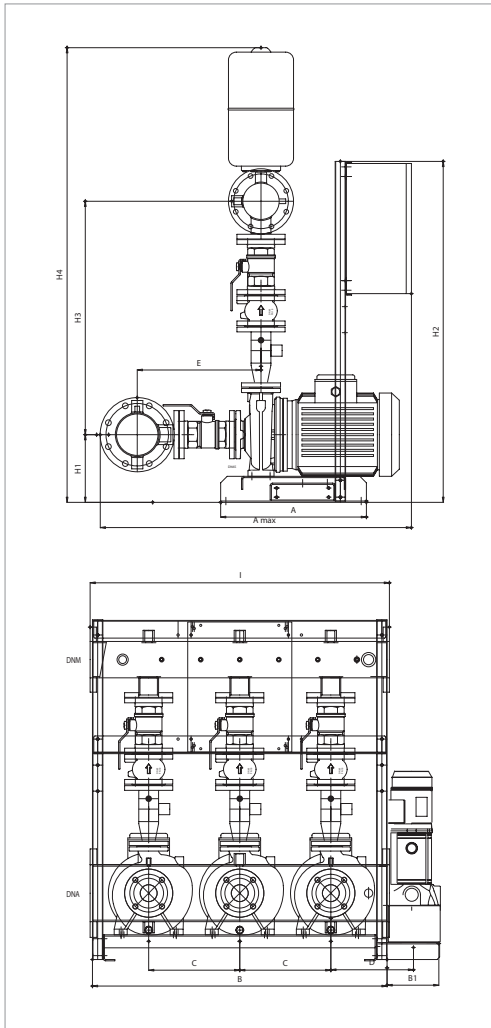
MODEL	POWER INPUT 50 Hz	P2 NOMINAL		RATED P2 JOCKEY	In A	FLOW m ³ /h	MAX OBTAINABLE PRESSURE BAR	STANDARD PRESSURE BAR
		kW	HP	kW				
3NKP-G 32-160/151 + KVCX 65/50	3x400 V	3x3	3x4	1,1	3x6,7	4-84	3	2,5
3NKP-G 32-160/163 + KVCX 65/50	3x400 V	3x4	3x5,5	1,1	3x8,7	4-96	3,5	3
3NKP-G 32-200/190 + KVCX 65/50	3x400 V	3x5,5	3x7,5	1,1	3x11,6	4-96	4,5	4
3NKP-G 32-200/210 + KVCX 65/50	3x400 V	3x7,5	3x10	1,1	3x14	4-96	5,6	5

MODEL	A	A max	B	B1*	C	D*	E	H1	H2	H3	H4	I	DNA	DNM
3NKP-G 32-160/151 + KVCX 65/50	560	1104	1132	199	350	318	401	232	1310	784	1593	1150	DN125	DN100
3NKP-G 32-160/163 + KVCX 65/50	560	1104	1132	199	350	318	401	232	1310	784	1593	1150	DN125	DN100
3NKP-G 32-200/190 + KVCX 65/50	560	1104	1132	199	350	318	401	260	1310	804	1641	1150	DN125	DN100
3NKP-G 32-200/210 + KVCX 65/50	560	1104	1132	199	350	318	401	260	1310	804	1641	1150	DN125	DN100

* The sizes are for the set with jockey pump. For the sizes of the set without jockey pump, disregard B1, D, and G.
For the weights contact our sales network.

3 NKP-G 40 - RESIDENTIAL/INDUSTRIAL PRESSURE BOOSTER SETS

Pumped liquid temperature range: from -15 °C to +70 °C - Jockey pump pumped liquid temperature range: from +0 °C to +40 °C.
Maximum ambient temperature: +40 °C



The performance curves are based on kinematic viscosity values = 1 mm²/s and density equivalent to 1000 kg/m³
Curve tolerance according to ISO 9906.
Overall performance taking into account THREE pumps working at the same time.

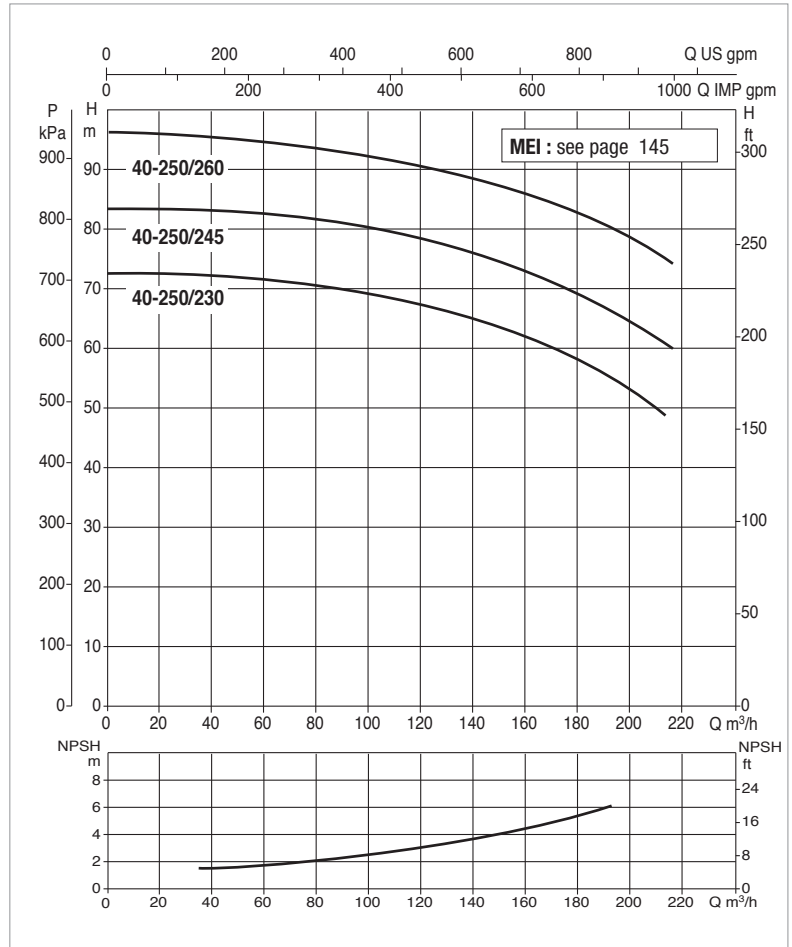
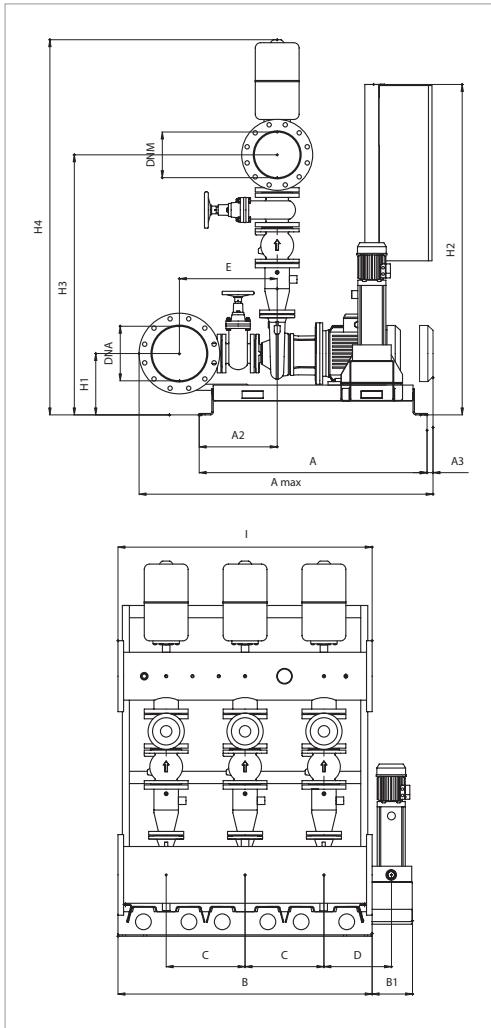
MODEL	POWER INPUT 50 Hz	P2 NOMINAL		RATED P2 JOCKEY	In A	FLOW m ³ /h	MAX OBTAINABLE PRESSURE BAR	STANDARD PRESSURE BAR
		KW	HP	KW				
3NKP-G 40-160/158 + KVCX 65/50	3x400 V	3 x 5,5	3 x 7,5	1,1	2 x 11,6	10 - 165	3,3	3
3NKP-G 40-160/172 + KVCX 65/50	3x400 V	3 x 7,5	3 x 10	1,1	3 x 14	10 - 180	4	3,5
3NKP-G 40-200/210 + KVCX 65/80	3x400 V	3 x 11	3 x 15	2,2	2 x 22,5	10 - 180	5,5	5

MODEL	A	A max	B	B1*	C	D*	E	H1	H2	H3	H4	I	DNA	DNM
3NKP-G 40-160/158 + KVCX 65/50	560	1176	1132	199	350	318	456	232	1310	877	1699	1150	DN150	DN125
3NKP-G 40-160/172 + KVCX 65/50	560	1176	1132	199	350	318	456	232	1310	877	1699	1150	DN150	DN125
3NKP-G 40-200/210 + KVCX 65/80	560	1176	1132	199	350	318	456	260	1310	897	1747	1150	DN150	DN125

* The sizes are for the set with jockey pump. For the sizes of the set without jockey pump, disregard B1, D, and G.
For the weights contact our sales network.

3 NKP-G 40 - RESIDENTIAL/INDUSTRIAL PRESSURE BOOSTER SETS

Pumped liquid temperature range: from -15 °C to +70 °C - Jockey pump pumped liquid temperature range: from +0 °C to +40 °C.
Maximum ambient temperature: +40 °C



The performance curves are based on kinematic viscosity values = 1 mm²/s and density equivalent to 1000 kg/m³
Curve tolerance according to ISO 9906.
Overall performance taking into account THREE pumps working at the same time.

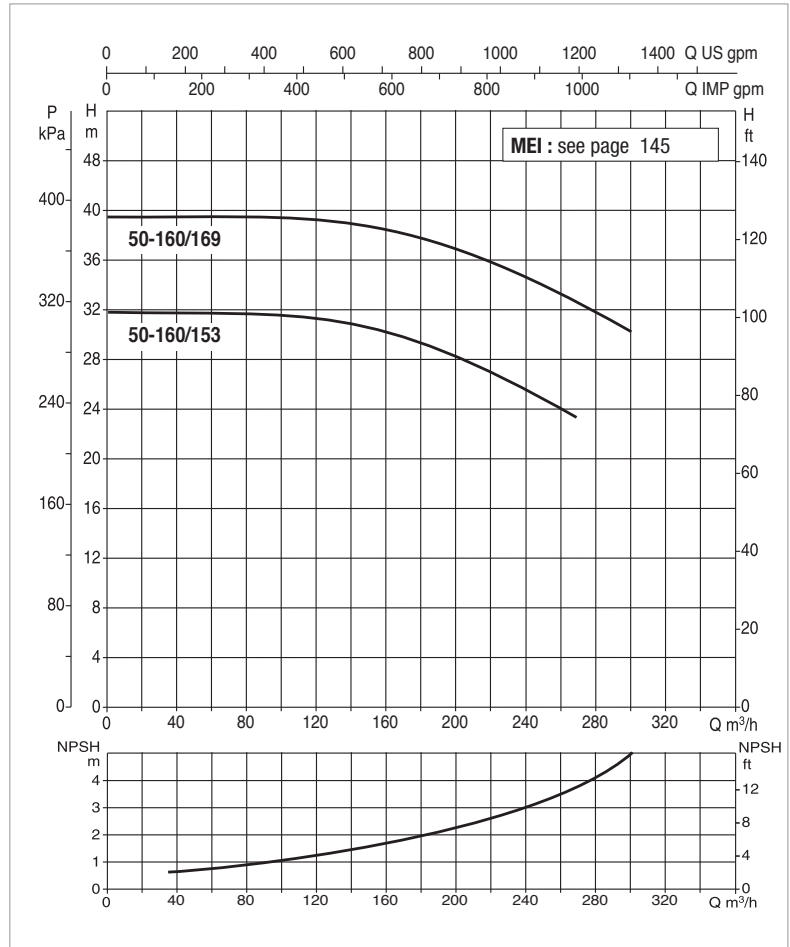
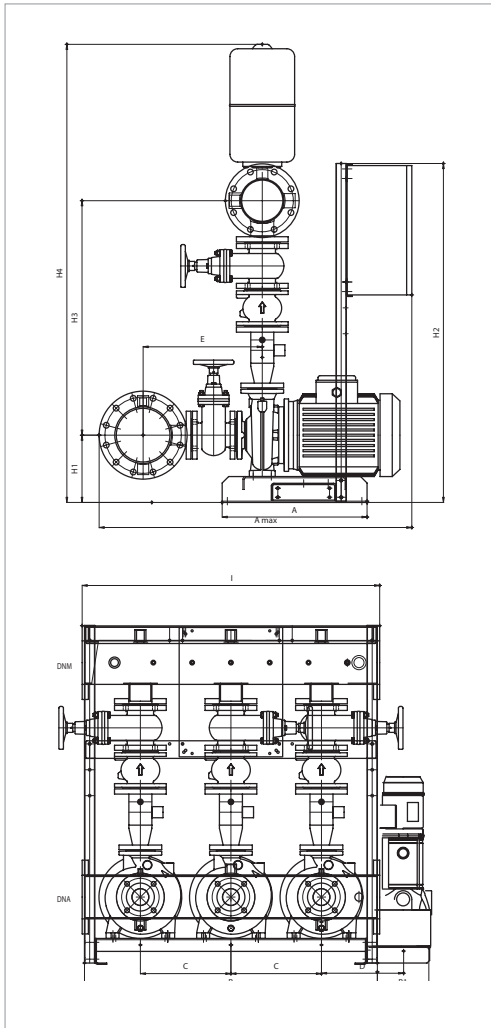
MODEL	POWER INPUT 50 Hz	P2 NOMINAL		RATED P2 JOCKEY	In A	FLOW m ³ /h	MAX OBTAINABLE PRESSURE BAR	STANDARD PRESSURE BAR
		kW	HP	kW				
3NKP-G 40-250/230 + KVCX 65/80	3x400 V	3 x 15	3 x 20	2,2	3 x 31	10 - 210	7	6,5
3NKP-G 40-250/245 + KVCX 65/80	3x400 V	3 x 18,5	3 x 25	2,2	3 x 36	10 - 210	8	7,5
3NKP-G 40-250/260 + KVCX 65/80	3x400 V	3 x 22	3 x 30	2,2	3 x 43	10 - 210	9,3	8,5

MODEL	A max	A	A2	B	B1*	C	D*	E	I	H1	H2	H3	H4	DNA	DNM
3NKP-G 40-250/230 + KVCX 65/80	1435	1290	477	1450	230	450	385	475	1450	350	1600	1295	1855	DN150	DN125
3NKP-G 40-250/245 + KVCX 65/80	1335	1290	579	1450	230	450	385	475	1450	350	1600	1295	1855	DN150	DN125
3NKP-G 40-250/260 + KVCX 65/80	1335	1290	579	1450	230	450	385	475	1450	350	1600	1295	1855	DN150	DN125

* The sizes are for the set with jockey pump. For the sizes of the set without jockey pump, disregard B1, D, and G.
For the weights contact our sales network.

3 NKP-G 50 - RESIDENTIAL/INDUSTRIAL PRESSURE BOOSTER SETS

Pumped liquid temperature range: from -15 °C to +70 °C - Jockey pump pumped liquid temperature range: from +0 °C to +40 °C.
 Maximum ambient temperature: +40 °C



The performance curves are based on kinematic viscosity values = 1 mm²/s and density equivalent to 1000 kg/m³
 Curve tolerance according to ISO 9906.

Overall performance taking into account THREE pumps working at the same time.

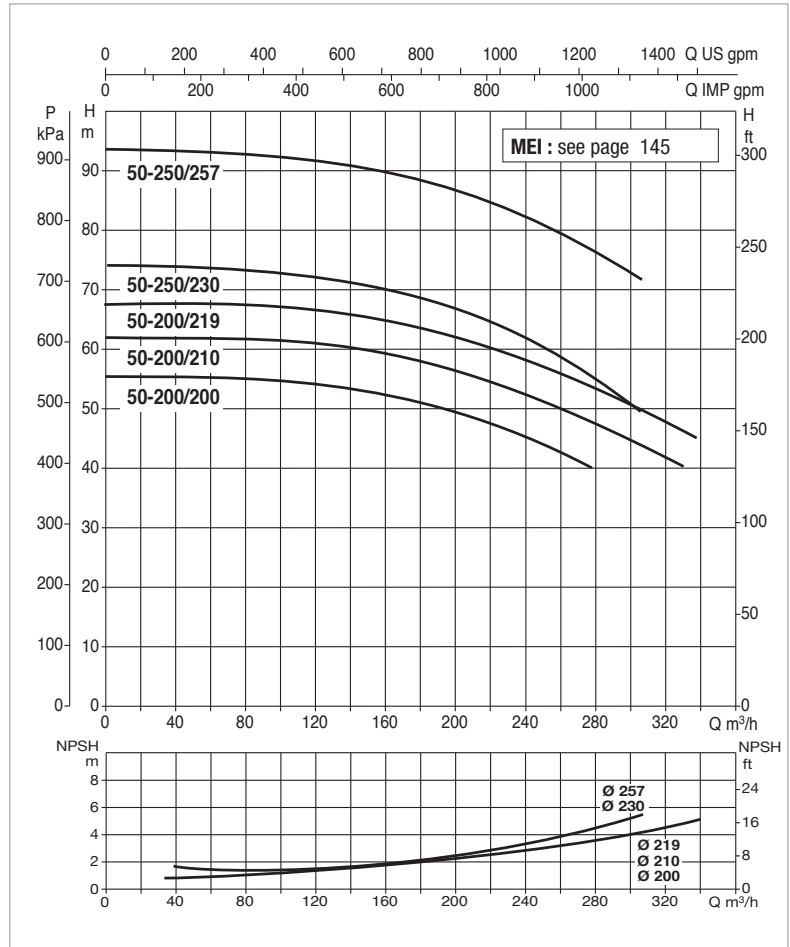
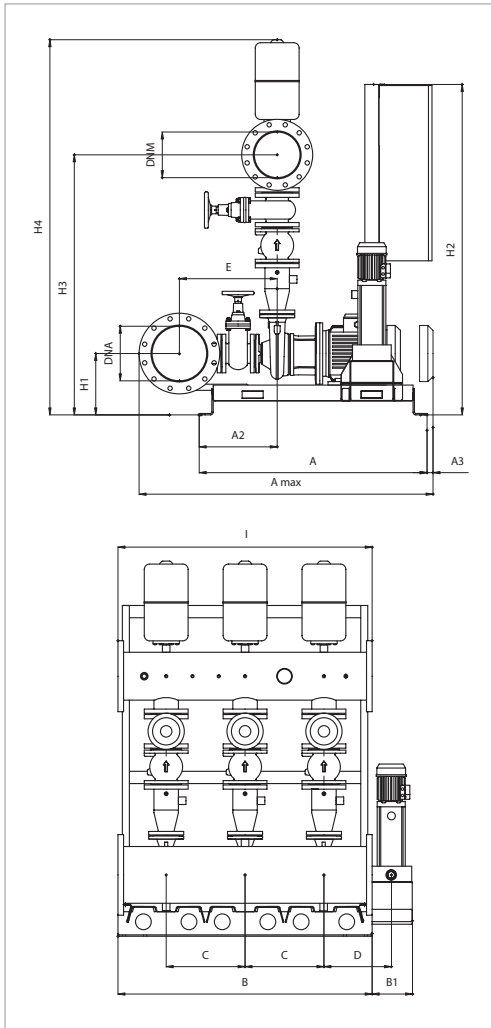
MODEL	POWER INPUT 50 Hz	P2 NOMINAL		RATED P2 JOCKEY	In A	FLOW m ³ /h	MAX OBTAINABLE PRESSURE BAR	STANDARD PRESSURE BAR
		kW	HP	kW				
3NKP-G 50-160/153 + KVCX 65/50	3x400 V	3x7,5	3x10	1,1	3x14	10 – 240	3	2,5
3NKP-G 50-160/169 + KVCX 65/80	3x400 V	3x11	3x15	2,2	2x22,5	10 – 270	3,8	3,3

MODEL	A	A max	B	B1*	C	D*	E	H1	H2	H3	H4	I	DNA	DNM
3NKP-G 50-160/153 + KVCX 65/50	560	1209	1132	199	350	318	461	260	1310	906	1770	1150	DN200	DN150
3NKP-G 50-160/169 + KVCX 65/80	560	1209	1132	199	350	318	461	260	1310	906	1770	1150	DN200	DN150

* The sizes are for the set with jockey pump. For the sizes of the set without jockey pump, disregard B1, D, and G.
 For the weights contact our sales network.

3 NKP-G 50 - RESIDENTIAL/INDUSTRIAL PRESSURE BOOSTER SETS

Pumped liquid temperature range: from -15 °C to +70 °C - Jockey pump pumped liquid temperature range: from +0 °C to +40 °C.
Maximum ambient temperature: +40 °C



The performance curves are based on kinematic viscosity values = 1 mm²/s and density equivalent to 1000 kg/m³
Curve tolerance according to ISO 9906.
Overall performance taking into account THREE pumps working at the same time.

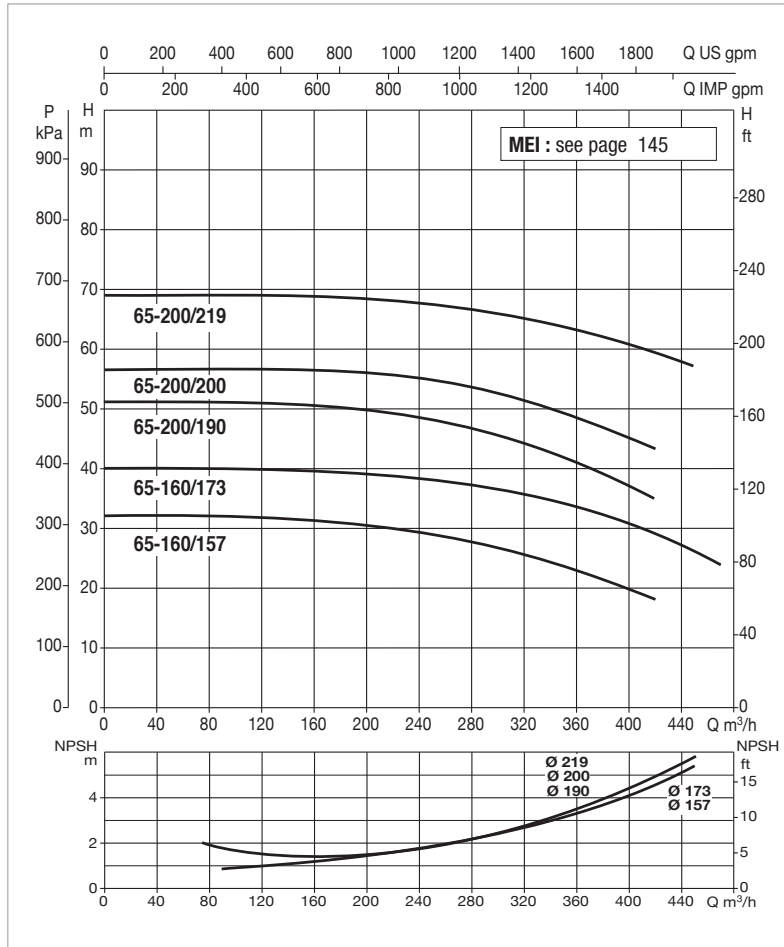
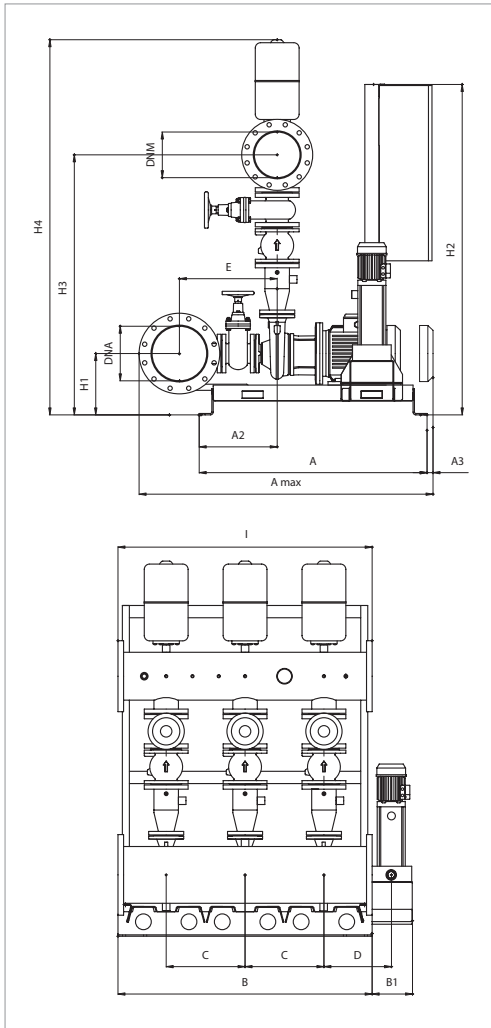
MODEL	POWER INPUT 50 Hz	P2 NOMINAL		RATED P2 JOCKEY	In A	FLOW m ³ /h	MAX OBTAINABLE PRESSURE BAR	STANDARD PRESSURE BAR
		KW	HP	KW				
3NKP-G 50-200/200 + KVCX 65/80	3x400 V	3 x 15	3 x 20	2,2	2 x 31	10 – 270	5,2	5
3NKP-G 50-200/210 + KVCX 65/80	3x400 V	3 x 18,5	3 x 25	2,2	3 x 36	10 – 330	6	5,5
3NKP-G 50-200/219 + KVCX 65/80	3x400 V	3 x 22	3 x 30	2,2	3 x 43	10 – 330	6,5	6
3NKP-G 50-250/230 + KVCX 65/80	3x400 V	3 x 22	3 x 30	2,2	3 x 43	10 – 300	7	6,5
3NKP-G 50-250/257 + KVCX 65/80	3x400 V	3 x 30	3 x 40	2,2	2 x 57	10 – 300	9	8,5

MODEL	A max	A	A2	B	B1*	C	D*	E	I	H1	H2	H3	H4	DNA	DNM
3NKP-G 50-200/200 + KVCX 65/80	1495	1290	434	1450	230	450	385	460	1450	330	1600	1260	1865	DN200	DN150
3NKP-G 50-200/210 + KVCX 65/80	1345	1290	579	1450	230	450	385	460	1450	330	1600	1260	1865	DN200	DN150
3NKP-G 50-200/219 + KVCX 65/80	1345	1290	579	1450	230	450	385	460	1450	330	1600	1260	1865	DN200	DN150
3NKP-G 50-250/230 + KVCX 65/80	1345	1290	579	1450	230	450	385	460	1450	350	1600	1305	1910	DN200	DN150
3NKP-G 50-250/257 + KVCX 65/80	1345	1290	579	1450	230	450	385	460	1450	350	1600	1305	1910	DN200	DN150

* The sizes are for the set with jockey pump. For the sizes of the set without jockey pump, disregard B1, D, and G.
For the weights contact our sales network.

3 NKP-G 65 - RESIDENTIAL/INDUSTRIAL PRESSURE BOOSTER SETS

Pumped liquid temperature range: from -15 °C to +70 °C - Jockey pump pumped liquid temperature range: from +0 °C to +40 °C.
Maximum ambient temperature: +40 °C



The performance curves are based on kinematic viscosity values = 1 mm²/s and density equivalent to 1000 kg/m³
Curve tolerance according to ISO 9906.
Overall performance taking into account THREE pumps working at the same time.

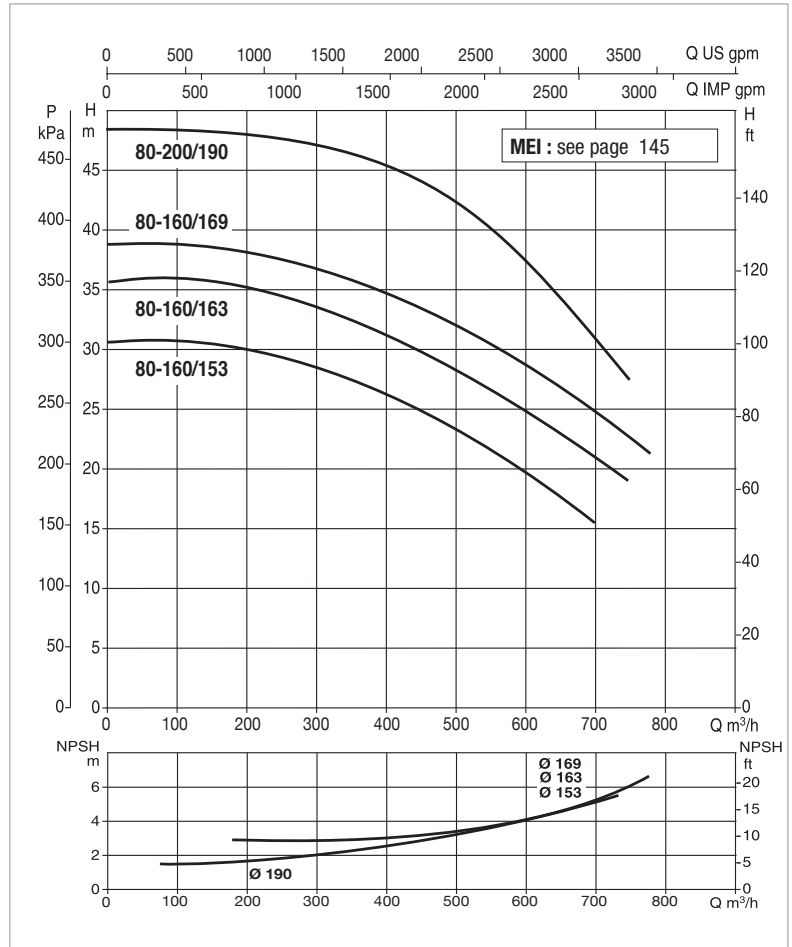
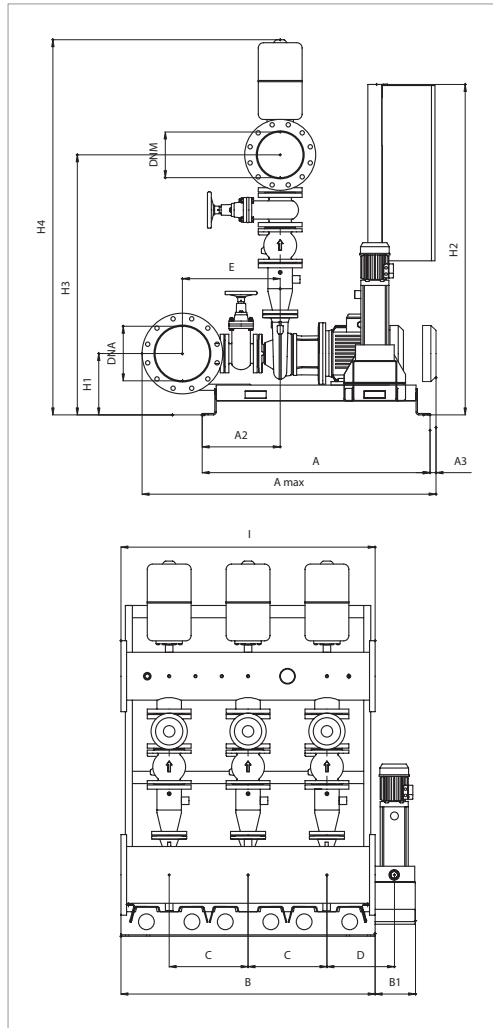
MODEL	POWER INPUT 50 Hz	P2 NOMINAL		RATED P2 JOCKEY	In A	FLOW m ³ /h	MAX OBTAINABLE PRESSURE BAR	STANDARD PRESSURE BAR
		KW	HP	KW				
3NKP-G 65-160/157 + KVCX 65/80	3x400 V	3 x 11	3 x 15	2,2	3 x 20,4	20 - 420	3	2,5
3NKP-G 65-160/173 + KVCX 65/80	3x400 V	3 x 15	3 x 20	2,2	3 x 27,5	20 - 450	3,8	3,5
3NKP-G 65-200/190 + KVCX 65/80	3x400 V	3 x 18,5	3 x 25	2,2	3 x 33,5	20 - 420	5	4,5
3NKP-G 65-200/200 + KVCX 65/80	3x400 V	3 x 22	3 x 30	2,2	3 x 39,5	20 - 420	5,5	5
3NKP-G 65-200/219 + KVCX 65/80	3x400 V	3 x 30	3 x 40	2,2	3 x 52,5	20 - 420	6,5	6

MODEL	A max	A	A2	A3	B	B1*	C	D*	E	I	H1	H2	H3	H4	DNA	DNM
3NKP-G 65-160/157 + KVCX 65/80	1550	1290	445	-	1450	230	450	385	500	1450	350	1600	1365	2000	DN250	DN200
3NKP-G 65-160/173 + KVCX 65/80	1550	1290	445	-	1450	230	450	385	500	1450	350	1600	1365	2000	DN250	DN200
3NKP-G 65-200/190 + KVCX 65/80	1550	1290	445	-	1450	230	450	385	500	1450	350	1600	1390	2005	DN250	DN200
3NKP-G 65-200/200 + KVCX 65/80	1525	1290	511	45	1450	230	450	385	500	1450	350	1600	1390	2005	DN250	DN200
3NKP-G 65-200/219 + KVCX 65/80	1590	1290	464	60	1450	230	450	385	500	1450	370	1600	1410	2045	DN250	DN200

* The sizes are for the set with jockey pump. For the sizes of the set without jockey pump, disregard B1, D, and G.
For the weights contact our sales network.

3 NKP-G 80 - RESIDENTIAL/INDUSTRIAL PRESSURE BOOSTER SETS

Pumped liquid temperature range: from -15 °C to +70 °C - Jockey pump pumped liquid temperature range: from +0 °C to +40 °C.
Maximum ambient temperature: +40 °C



The performance curves are based on kinematic viscosity values = 1 mm²/s and density equivalent to 1000 kg/m³
Curve tolerance according to ISO 9906.
Overall performance taking into account THREE pumps working at the same time.

MODEL	POWER INPUT 50 Hz	P2 NOMINAL		RATED P2 JOCKEY	In A	FLOW m ³ /h	MAX OBTAINABLE PRESSURE BAR	STANDARD PRESSURE BAR
		kW	HP	kW				
3NKP-G 80-160/153 + KVCX 65/80	3x400 V	3 x 15	3 x 20	2,2	3 x 27,5	40 - 660	2,8	2,5
3NKP-G 80-160/163 + KVCX 65/80	3x400 V	3 x 18,5	3 x 25	2,2	3 x 33,5	40 - 720	3,3	3
3NKP-G 80-160/169 + KVCX 65/80	3x400 V	3 x 22	3 x 30	2,2	3 x 39,5	40 - 720	3,7	3,3
3NKP-G 80-200/190 + KVCX 65/80	3x400 V	3 x 30	3 x 40	2,2	3 x 52,5	40 - 720	4,6	4,5

MODEL	A max	A	A2	A3	B	B1*	C	D*	E	I	H1	H2	H3	H4	DNA	DNM
3NKP-G 80-160/153 + KVCX 65/80	1635	1290	445	-	1450	230	450	385	560	1450	350	1600	1490	2145	DN300	DN250
3NKP-G 80-160/163 + KVCX 65/80	1635	1290	445	-	1450	230	450	385	560	1450	350	1600	1490	2145	DN300	DN250
2NKP-G 80-160/169 + KVCX 65/80	1615	1290	511	45	1450	230	450	385	560	1450	350	1600	1490	2145	DN300	DN250
3NKP-G 80-200/190 + KVCX 65/80	1705	1290	434	60	1450	230	450	385	560	1450	370	1600	1535	2190	DN300	DN250

* The sizes are for the set with jockey pump. For the sizes of the set without jockey pump, disregard B1, D, and G.
For the weights contact our sales network.